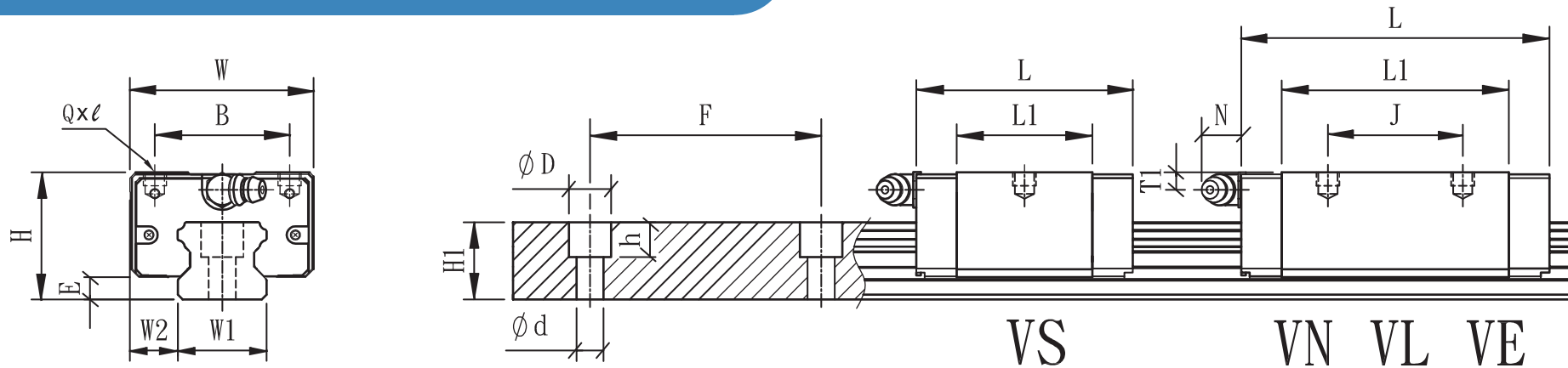


## TRS - V Series Dimension Table



| Model No | Assembly- mm |    |      |     | Block- mm |    |    |        |      |          |      |     | Rail- mm |      |     |       |     |       | Rating Load-kgf |       | Block kgf | Rail kgf/m |
|----------|--------------|----|------|-----|-----------|----|----|--------|------|----------|------|-----|----------|------|-----|-------|-----|-------|-----------------|-------|-----------|------------|
|          | H            | W  | W2   | E   | L         | B  | J  | Q x l  | L1   | Oil Hole | T1   | N   | W1       | H1   | F   | phi D | h   | phi d | C               | C0    |           |            |
| TRS15VS  | 24           | 34 | 9.5  | 3   | 39.3      | 26 | 26 | M4x5   | 22.9 | M4x0.7   | 5.5  | 5.5 | 15       | 13   | 60  | 7.5   | 6   | 4.5   | 503             | 815   | 0.07      | 1.32       |
| TRS15VN  |              |    |      |     | 55.9      |    |    |        | 39.5 |          |      |     |          |      |     |       |     |       | 775             | 1514  | 0.13      | 1.32       |
| TRS15VL  |              |    |      |     | 64.4      |    |    |        | 48   |          |      |     |          |      |     |       |     |       | 897             | 1863  | 0.15      | 1.32       |
| TRS15VE  |              |    |      |     | 79.4      |    |    |        | 63   |          |      |     |          |      |     |       |     |       | 1085            | 2445  | 0.2       | 1.32       |
| TRS20VS  | 28           | 42 | 11   | 4.6 | 47.8      | 32 | 32 | M5x5   | 27.8 | M6x1     | 4.5  | 12  | 20       | 16.5 | 60  | 9.5   | 8.5 | 6     | 739             | 1109  | 0.11      | 2.28       |
| TRS20VN  |              |    |      |     | 66.7      |    |    |        | 46.7 |          |      |     |          |      |     |       |     |       | 1201            | 2219  | 0.18      | 2.28       |
| TRS25VS  | 33           | 48 | 12.5 | 5.8 | 56.2      | 35 | 35 | M6x6   | 35.2 | M6x1     | 4.5  | 12  | 23       | 20   | 60  | 11    | 9   | 7     | 1077            | 1665  | 0.18      | 3.17       |
| TRS25VN  |              |    |      |     | 80        |    |    |        | 59   |          |      |     |          |      |     |       |     |       | 1661            | 3092  | 0.3       | 3.17       |
| TRS30VS  | 42           | 60 | 16   | 7   | 66.4      | 40 | 40 | M8x8   | 40.4 | M6x1     | 8    | 12  | 28       | 23   | 80  | 14    | 12  | 9     | 1584            | 2387  | 0.37      | 4.54       |
| TRS30VN  |              |    |      |     | 95.3      |    |    |        | 69.3 |          |      |     |          |      |     |       |     |       | 2443            | 4433  | 0.65      | 4.54       |
| TRS30VL  |              |    |      |     | 106       |    |    |        | 80   |          |      |     |          |      |     |       |     |       | 2700            | 5115  | 0.74      | 4.54       |
| TRS30VE  |              |    |      |     | 131       |    |    |        | 105  |          |      |     |          |      |     |       |     |       | 3417            | 7162  | 0.97      | 4.54       |
| TRS35VS  | 48           | 70 | 18   | 7.5 | 74.7      | 50 | 50 | M8x8   | 45.7 | M6x1     | 8    | 12  | 34       | 26   | 80  | 14    | 12  | 9     | 2230            | 3307  | 0.57      | 6.27       |
| TRS35VN  |              |    |      |     | 108       |    |    |        | 79   |          |      |     |          |      |     |       |     |       | 3440            | 6142  | 0.98      | 6.27       |
| TRS35VL  |              |    |      |     | 122       |    |    |        | 93   |          |      |     |          |      |     |       |     |       | 3802            | 7087  | 1.16      | 6.27       |
| TRS35VE  |              |    |      |     | 152       |    |    |        | 123  |          |      |     |          |      |     |       |     |       | 4812            | 9922  | 1.54      | 6.27       |
| TRS45VN  | 60           | 68 | 20.5 | 8.9 | 124.5     | 60 | 60 | M10x15 | 90.5 | M8x1.25  | 10.5 | 16  | 45       | 32   | 105 | 20    | 17  | 14    | 4524            | 7909  | 1.71      | 10.4       |
| TRS45VL  |              |    |      |     | 140       |    |    |        | 106  |          |      |     |          |      |     |       |     |       | 5001            | 9126  | 1.99      | 10.4       |
| TRS45VE  |              |    |      |     | 174       |    |    |        | 140  |          |      |     |          |      |     |       |     |       | 6329            | 12776 | 2.64      | 10.4       |