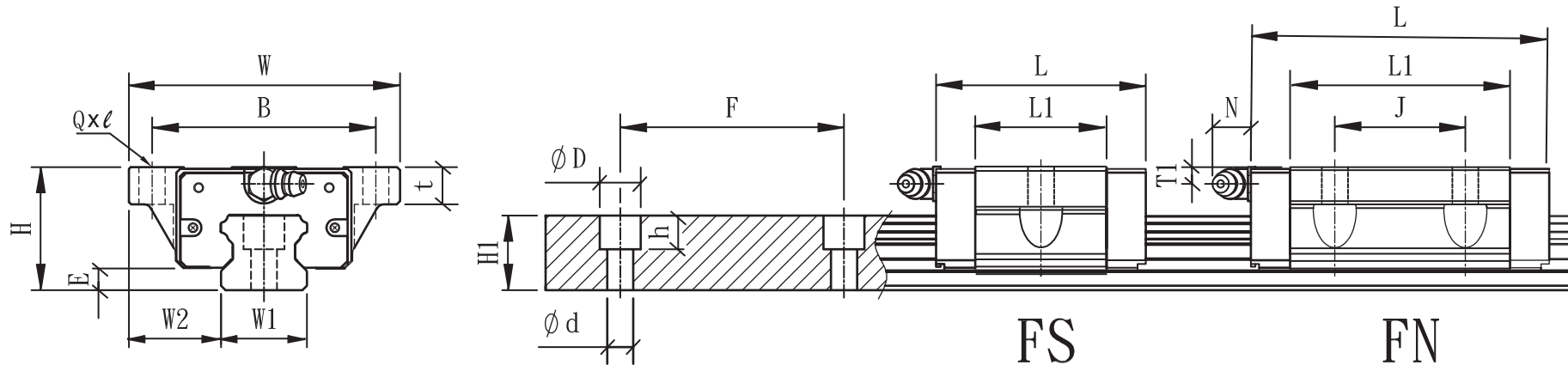


## TRS - F Series Dimension Table



Model No	Assembly- mm				Block- mm									Rail- mm						Rating Load-kgf		Block kgf	Rail kgf/m
	H	W	W2	E	L	B	J	Q x l	t	L1	Oil Hole	T1	N	W1	H1	F	phi D	h	phi d	C	C0		
TRS15FS	24	52	18.5	3	39.3	41	26	phi 4.5 x 7	7.3	22.9	M4 x 0.7	5.5	5.5	15	13	60	7.5	6	4.5	503	815	0.098	1.32
TRS15FN					55.9					39.5										775	1514	0.17	1.32
TRS20FS	28	59	19.5	4.6	47.8	49	32	phi 5.5 x 9	9	27.8	M6 x 1	4.5	12	20	16.5	60	9.5	8.5	6	739	1109	0.15	2.28
TRS20FN					66.7					46.7										1201	2219	0.24	2.28
TRS25FS	33	73	25	5.8	56.2	60	35	phi 7 x 10	10	35.2	M6 x 1	4.5	12	23	20	60	11	9	7	1077	1665	0.26	3.17
TRS25FN					80					59										1661	3092	0.44	3.17
TRS30FS	42	90	31	7	66.4	72	40	phi 9 x 10	10	40.4	M6 x 1	8	12	28	23	80	14	12	9	1584	2387	0.52	4.54
TRS30FN					95.3					69.3										2243	4433	0.88	4.54
TRS35FS	48	100	33	7.5	74.7	82	50	phi 9 x 13	13	45.7	M6 x 1	8	12	34	28	80	14	12	9	2230	3007	0.76	6.27
TRS35FN					108					79										3440	6142	1.31	6.27
TRS45FN	60	120	37.5	8.9	124.5	100	60	phi 11 x 15	15	90.5	M8 x 1.25	10.5	16	45	32	105	20	17	14	4524	7909	2.18	10.35