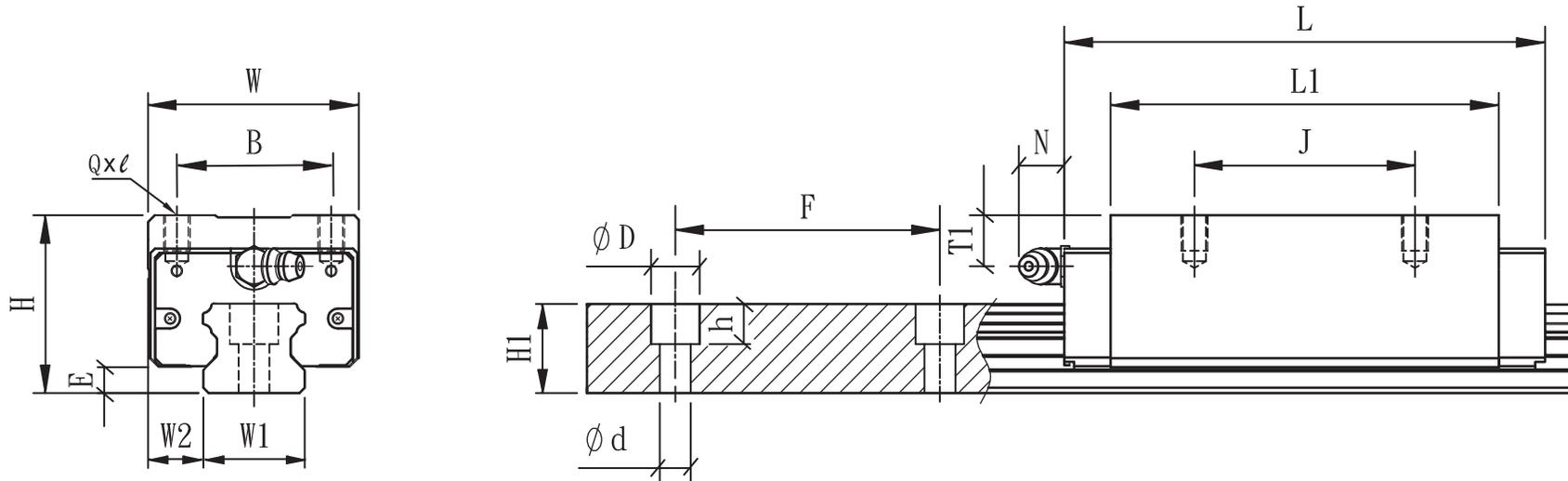


TRH - V Series Dimension Table



Model No	Assembly- mm				Block- mm								Rail- mm						Rating Load-kgf		Block kgf	Rail kgf/m
	H	W	W2	E	L	B	J	Q x ℓ	L1	Oil Hole	T1	N	W1	H1	F	ΦD	h	φd	C	C0		
TRH15VL	28	34	9.5	3	64.4	26	26	M4x5	48	M4x0.7	9.5	5.5	15	13	60	7.5	6	4.5	897	1863	0.2	1.32
TRH20VL	30	44	12	4.6	79	32	36	M5x5	59	M6x1	6.5	12	20	16.5	60	9.5	9	6	1404	2773	0.29	2.28
TRH20VE					98		50		78										1776	3883	0.38	2.28
TRH25VL	40	48	12.5	5.8	92	35	35	M6x6.5	71	M6x1	11.5	12	23	20	60	11	9	7	1921	3805	0.55	3.17
TRH25VE					109		50		88										2323	4994	0.68	3.17
TRH30VL	45	60	16	7	106	40	40	M8x10	80	M6x1	11	12	28	23	80	14	12	9	2700	5115	0.85	4.54
TRH30VE					131		60		105										3417	7162	1.12	4.54
TRH35VL	55	70	18	7.5	122	50	50	M8x10	93	M6x1	15	12	34	26	80	14	12	9	3802	7087	1.52	6.27
TRH35VE					152		72		123										4812	9922	2	6.27
TRH45VL	70	86	20.5	8.9	140	60	60	M10x15	106	M8x1.25	20.5	16	45	32	105	20	17	14	5001	9126	2.7	10.4
TRH45VE					174		80		140										6329	12776	3.58	10.4