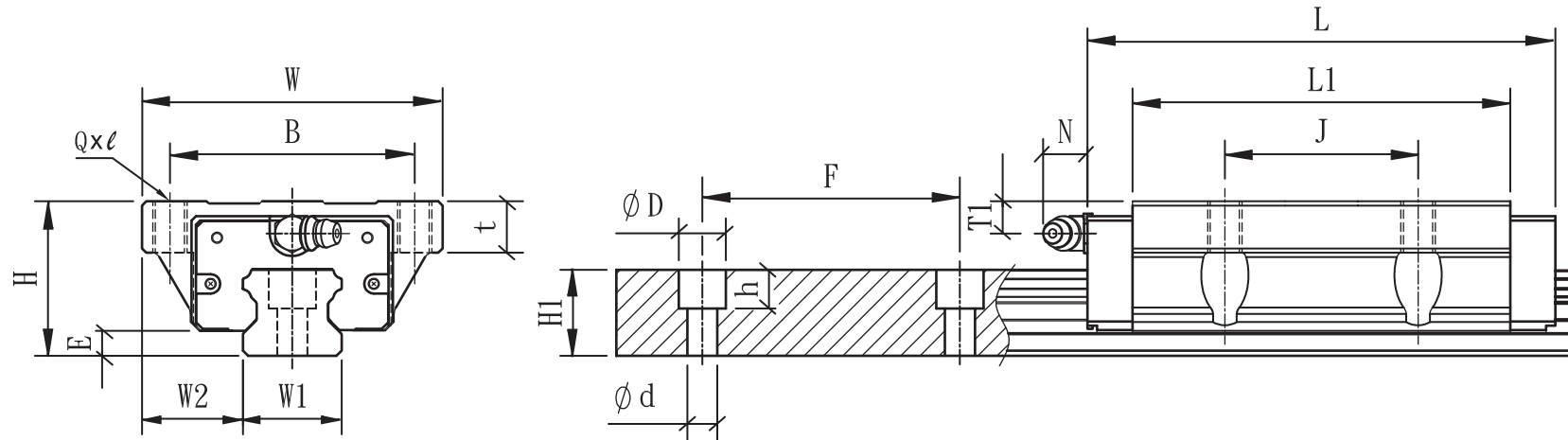


## TRH - F Series Dimension Table



Model No	Assembly-mm				Block-mm								Rail-mm						Rating Load-kgf		Block kgf	Rail kgf/m
	H	W	W2	E	L	B	J	Q x l	L1	Oil Hole	T1	N	W1	H1	F	Φ D	h	Φ d	C	C0		
TRH15FL	24	47	16	3	64.4	38	30	M5x8	48	M4x0.7	5.5	5.5	15	13	60	7.5	6	4.5	897	1863	0.2	1.32
TRH15FE					79.4				63										1085	2445	0.26	1.32
TRH20FL	30	63	21.5	4.6	79	53	40	M6x10	59	M6x1	6.5	12	20	16.5	60	9.5	8.5	6	1404	2773	0.4	2.28
TRH20FE					98				78										1776	3883	0.53	2.28
TRH25FL	36	70	23.5	5.8	92	57	45	M8x12	71	M6x1	7.5	12	23	20	60	11	9	7	1921	3805	0.62	3.17
TRH25FE					109				88										2323	4994	0.78	3.17
TRH30FL	42	90	31	7	106	72	52	M10x15	80	M6x1	8	12	28	23	80	14	12	9	2700	5115	1.42	4.54
TRH30FE					131				105										3417	7162	1.77	4.54
TRH35FL	48	100	33	7.5	122	82	62	M10x15	93	M6x1	8	12	34	26	80	14	12	9	3802	7087	1.58	6.27
TRH35FE					152				123										4812	9922	2.11	6.27
TRH45FL	60	120	37.5	8.9	140	100	80	M12x18	106	M8x1.25	10.5	16	45	32	105	20	17	14	5001	9126	2.65	10.4
TRH45FE					174				140										6329	12776	3.55	10.4