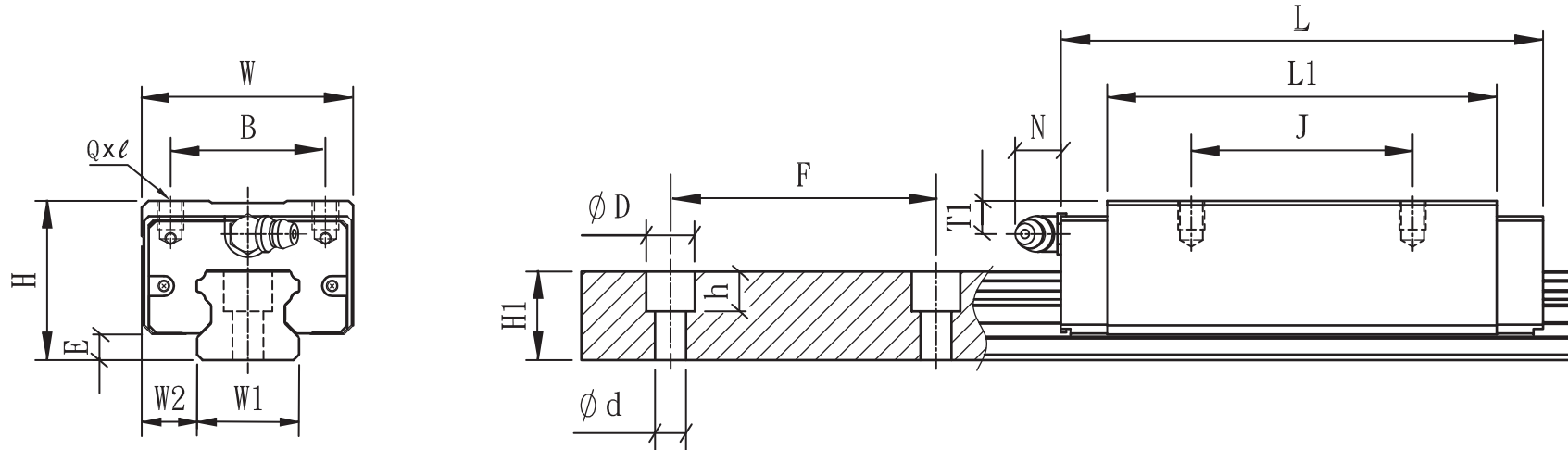


## TRC - V Series Dimension Table



Model No	Assembly-mm				Block-mm								Rail-mm						Rating Load-kgf		Block kgf	Rail kgf/m
	H	W	W2	E	L	B	J	Qxℓ	L1	Oil Hole	T1	N	W1	H1	F	ØD	h	Ød	C	C0		
TRC25VL	36	48	12.5	5.8	92	35	35	M6x6.5	71	M6x1	7.5	12	23	20	60	11	9	7	1921	3805	0.44	3.17
TRC25VE					109		50		88										2323	4994		