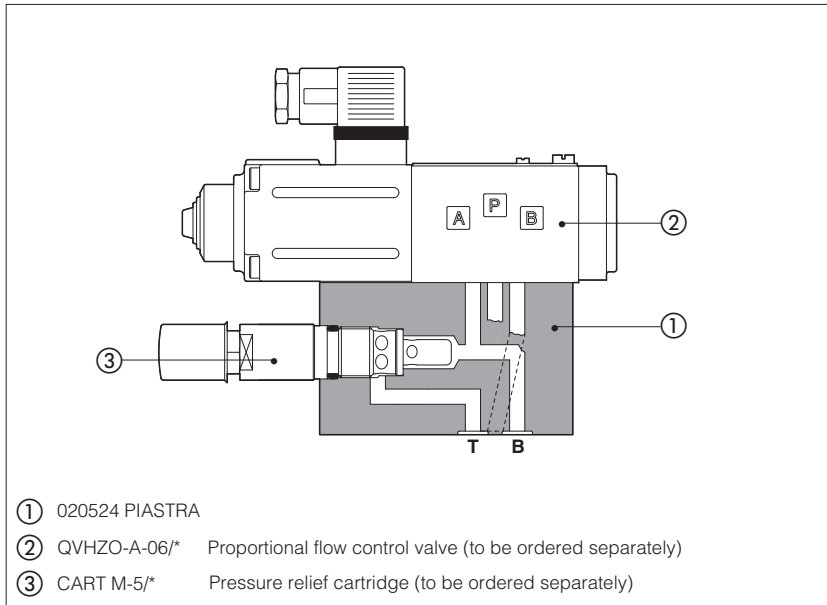


# Modular plate for proportional flow control type **020524**

ISO 4401 size 06



SP-020524 PIASTRA is a ISO 4401 size 06 special modular plate providing a pressure compensated meter-in flow regulation in standard multistation subplated type BA\*  
It is normally installed on the first position of the multistation subplate and thus it permits to control the flow to the valves installed on the manifold, depending to the requirements of the machine cycle.

This plate is predisposed for the assembling of one proportional flow control valve type QVHZO-A-\* (see KT catalog, table F410) and one pressure relief valve type CART M-5/\* operating as mechanical pressure limiter. These valves have to be ordered separately depending to the required flow control range and max pressure.

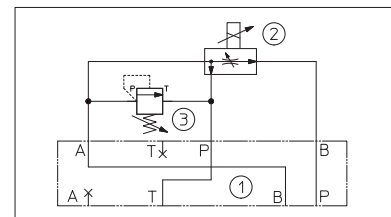
**Typical application**  
Mobile machines

## 1 MODEL CODE

**020524 PIASTRA**

Modular plate for proportional flow control

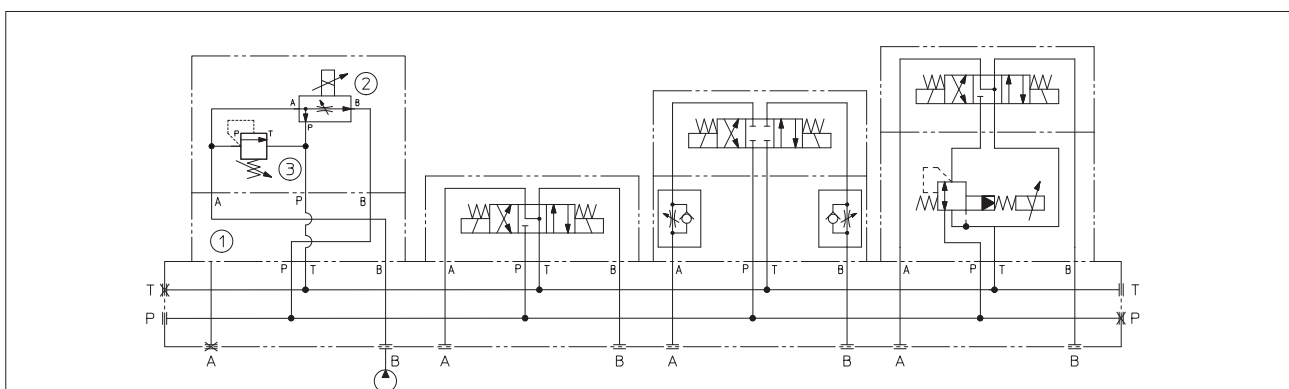
## 2 HYDRAULIC SCHEME



## 3 HYDRAULIC CHARACTERISTICS

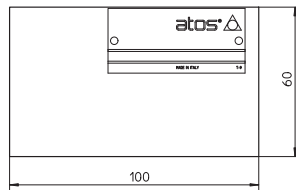
Max flow	[l/min]	60				
Max pressure	[bar]	210				
<b>QVHZO-A-06/*</b>	MODEL	<b>/3</b>	<b>/12</b>	<b>/18</b>	<b>/36</b>	<b>/45</b>
Flow regulating range	[l/min]	0,015 ÷ 3,5	0,02 ÷ 12	0,03 ÷ 18	0,05 ÷ 35	0,06 ÷ 45
<b>CART M5/*</b>	MODEL	<b>/50</b>		<b>/100</b>		<b>/210</b>
Pressure range	[bar]	2 ÷ 50		3 ÷ 100		5 ÷ 210

## 4 APPLICATION EXAMPLE ON BA-214 MULTISTATION PLATE



5 DIMENSIONS (mm)

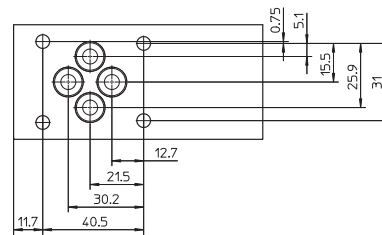
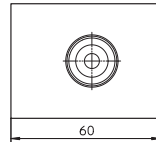
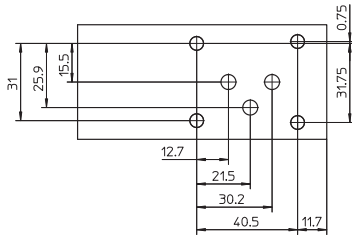
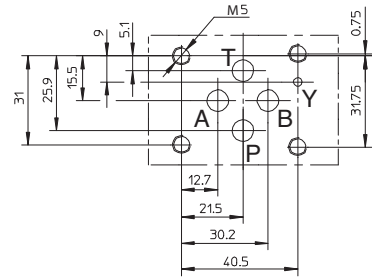
Subplate dimensions



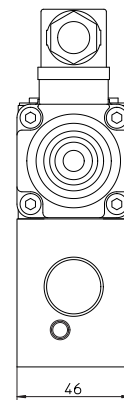
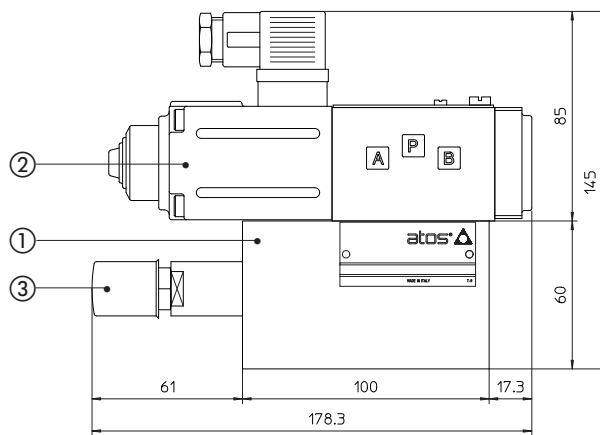
ISO 4401: 2005  
Mounting surface: 4401-03-02-0-05

Fastening bolts:  
4 socket head screws M5x50 class 12.9  
Tightening torque = 8 Nm  
Seals: 4 OR 108  
Ports P,A,B,T:  $\varnothing = 7.5$  mm (max).

P = PRESSURE PORT  
A, B = USE PORT  
T = TANK PORT



Installation dimension with QVHZO proportional flow control valve and CART M-5 pressure relief cartridge



- ① 020524 PIASTRA
- ② QVHZO-A-06/\* Proportional flow control valve, pressure compensated - to be ordered separately, see KT catalog, table F410
- ③ CART M-5/\* Pressure relief cartridge to be ordered separately, see KT catalog, table C010