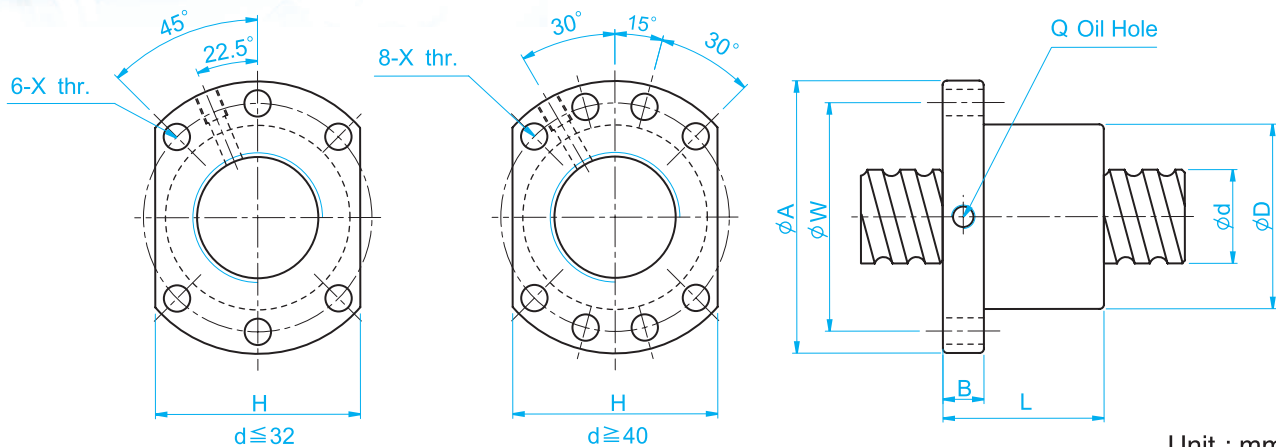


Dimension Table of TBI MOTION Ball Screws

(TYPE) : SFU(DIN 69051 FORM B)



Unit : mm

l: Lead Da: Ball Dia. n: Number of Circuits K: Stiffness (Kgf/μm)
 Ca: Basic Dynamic Rating Load (Kgf) Coa: Basic Static Rating Load(Kgf)

Model No.	Dimensions														
	d	l	Da	D	A	B	L	W	X	H	Q	n	Ca	Coa	K
★ SFU01204-4	12	4	2.5	24	40	10	40	32	4.5	30		1x4	902	1884	26
★ SFU01604-4		4	2.381	28	48	10	40	38	5.5	40	M6	1x4	973	2406	32
★ SFU01605-4	16	5	3.175	28	48	10	50	38	5.5	40	M6	1x4	1380	3052	32
★ SFU01610-3		10	3.175	28	48	10	57	38	5.5	40	M6	1x3	1103	2401	26
★ SFU02004-4	20	4	2.381	36	58	10	42	47	6.6	44	M6	1x4	1066	2987	38
★ SFU02005-4		5	3.175	36	58	10	51	47	6.6	44	M6	1x4	1551	3875	39
★ SFU02504-4		4	2.381	40	62	10	42	51	6.6	48	M6	1x4	1180	3795	43
★ SFU02505-4		5	3.175	40	62	10	51	51	6.6	48	M6	1x4	1724	4904	45
★ SFU02506-4	25	6	3.969	40	62	10	54	51	6.6	48	M6	1x4	2318	6057	47
★ SFU02508-4		8	4.762	40	62	10	63	51	6.6	48	M6	1x4	2963	7313	49
★ SFU02510-4		10	4.762	40	62	12	85	51	6.6	48	M6	1x4	2954	7295	50
★ SFU03204-4		4	2.381	50	80	12	44	65	9	62	M6	1x4	1296	4838	51
★ SFU03205-4		5	3.175	50	80	12	52	65	9	62	M6	1x4	1922	6343	54
★ SFU03206-4		6	3.969	50	80	12	57	65	9	62	M6	1x4	2632	7979	57
★ SFU03208-4	32	8	4.762	50	80	12	65	65	9	62	M6	1x4	3387	9622	60
★ SFU03210-4		10	6.35	50	80	12	90	65	9	62	M6	1x4	4805	12208	61
★ SFU04005-4		5	3.175	63	93	14	55	78	9	70	M8	1x4	2110	7988	63
★ SFU04006-4		6	3.969	63	93	14	60	78	9	70	M6	1x4	2873	9913	66
★ SFU04008-4	40	8	4.762	63	93	14	67	78	9	70	M6	1x4	3712	11947	70
★ SFU04010-4		10	6.35	63	93	14	93	78	9	70	M8	1x4	5399	15500	73
★ SFU05010-4		10	6.35	75	110	16	93	93	11	85	M8	1x4	6004	19614	85
★ SFU05020-4	50	20	7.144	75	110	16	138	93	11	85	M8	1x4	7142	22588	94
★ SFU06310-4		10	6.35	90	125	18	98	108	11	95	M8	1x4	6719	25358	99
★ SFU06320-4	63	20	9.525	95	135	20	149	115	13.5	100	M8	1x4	11444	36653	112
★ SFU08010-4		10	6.35	105	145	20	98	125	13.5	110	M8	1x4	7346	31953	109
★ SFU08020-4	80	20	9.525	125	165	25	154	145	13.5	130	M8	1x4	12911	47747	138
★ SFU10020-4	100	20	9.525	150	202	30	180	170	17.5	155	M8	1x4	14303	60698	162

Note: with sign ★ can be produced in left helix