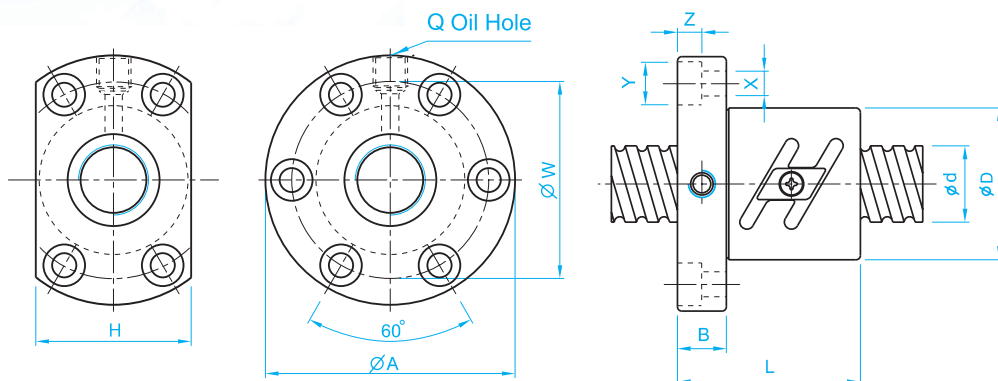


Dimension Table of TBI MOTION Ball Screws

(TYPE) : SFT



Unit : mm

I: Lead Da: Ball Dia. n: Number of Circuits K: Stiffness (Kgf/μm)
 Ca: Basic Dynamic Rating Load (Kgf) Coa: Basic Static Rating Load(Kgf)

Model No.	Dimensions																
	d	I	Da	D	A	B	L	W	H	X	Y	Z	Q	n	Ca	Coa	K
SFT02005-5	20	5	3.175	44	67	11	57	55	52	5.5	9.5	5.5	M6	2.5x2	1879	4844	49
SFT02505-5	25	5	3.175	50	73	11	55	61	52	5.5	9.5	5.5	M8	2.5x2	2089	6129	58
SFT02510-2.5		10	6.35	68	102	15	70	84	82	9	14	8.5	M8	2.5x1	2845	6062	34
SFT03205-5	32	5	3.175	58	85	12	56	71	64	6.6	11	6.5	M8	2.5x2	2329	7929	69
SFT03206-5		6	3.969	62	89	12	65	75	68	6.6	11	6.5	M8	2.5x2	3189	9974	73
SFT03208-5		8	4.762	66	100	15	82	82	76	9	14	8.5	M8	2.5x2	4103	12028	77
SFT03210-5		10	6.35	74	108	15	96	90	82	9	14	9	M8	2.5x2	5821	15259	79
SFT03220-2.5		20	6.35	74	108	16	100	90	82	9	14	8.5	M8	2.5x1	3284	8004	43
SFT04005-5		40	5	3.175	67	101	15	59	83	72	9	14	8.5	M8	2.5x2	2556	9985
SFT04010-5	10		6.35	82	124	18	100	102	94	11	17.5	11	M8	2.5x2	6541	19375	94
SFT04020-2.5	20		6.35	82	124	18	100	102	90	11	17.5	11	M8	2.5x1	3683	10086	52
SFT05010-5	50	10	6.35	93	135	18	103	113	98	11	17.5	11	M8	2.5x2	7274	24518	110
SFT05020-2.5		20	9.525	105	152	28	121	128	110	14	20	13	M8	2.5x1	6867	18241	63
SFT06310-5	63	10	6.35	108	154	22	105	130	110	14	20	13	M8	2.5x2	8141	31697	131
SFT06320-2.5		20	9.525	122	180	28	127	150	130	18	26	17.5	M8	2.5x1	7639	22908	74
SFT08010-5	80	10	6.35	130	176	22	105	152	132	14	20	13	M8	2.5x2	8900	39942	151
SFT08020-5		20	9.525	143	204	28	180	172	148	18	26	18	M8	2.5x2	15642	59684	174
SFT08020-7.5		20	9.525	143	204	28	240	172	148	18	26	18	M8	2.5x3	22169	89525	257