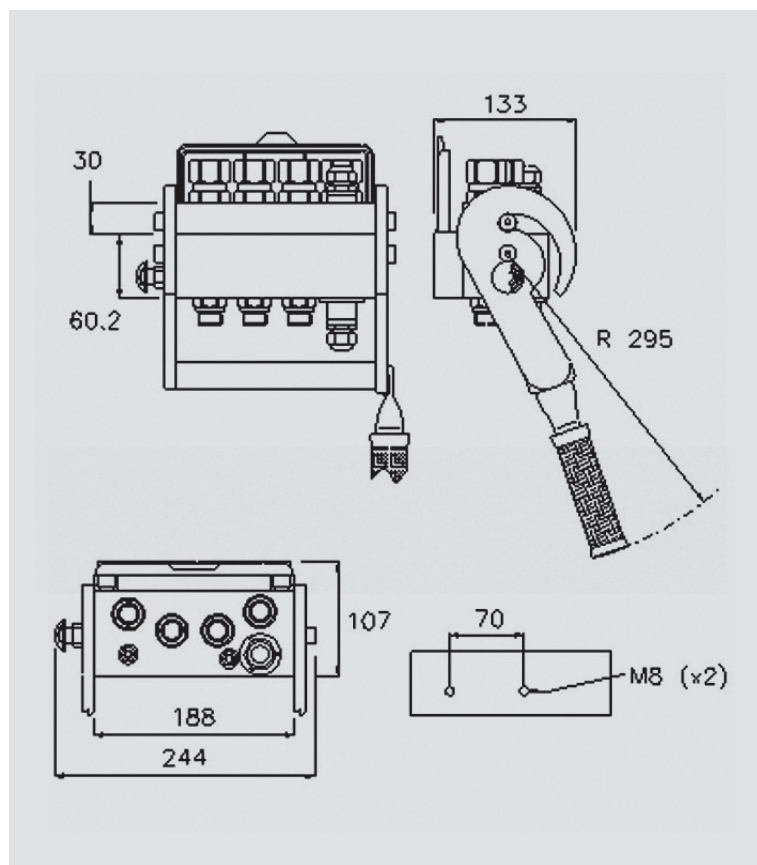


# PSo8



Multifaster, 4 hydraulic lines, size o8; one line for eventual electrical connector.

## Applications



## Technical Specifications

dash	Size		Working Pressure (MPa)	Flow Rate (l/min)	Spillage (ml)	Burst pressure (MPa)		
	mm	inch				Male	Female	Male + Female
08	12,5	1/2"	25	70	0,01	100	100	100

Material	Aluminium; Steel	Valve Type	Flat
Seals	NBR; PUR	Connection	Lever
Working temperatures	- 25 °C to 100 °C	Disconnection	Lever
Surface treatment	MATE 500 (CrIII); Paint	Connection Under Pressure	Allowed Residual

# PS08

Size					Thread Type					FIXED
dash	mm	inch	Housing	Number of Couplings	Thread Type	Standard	Thread	Electrical Connector N	Connector Type	Part Number
08	12,5	1/2"	5	4	02/ METRIC	ISO 8434-1-L	M22x1,5 MALE 15L	n.a.	n.a.	2PS08-4-2/22F C
08	12,5	1/2"	5	4	02/ METRIC	ISO 8434-1-L	M22x1,5 MALE 15L	1	3 PINS	2PS08-1-4-2/2FC
08	12,5	1/2"	5	4	F BSPP	ISO 1179-1	BSPP 1/2" FEMALE	1	3 PINS	2PS08-1-4-12GFC

Size					Thread Type					MOBILE
dash	mm	inch	Housing	Number of Couplings	Thread Type	Standard	Thread	Electrical Connector N	Connector Type	Part Number
08	12,5	1/2"	5	4	02/ METRIC	ISO 8434-1-L	M22x1,5 MALE 15L	n.a.	n.a.	2PS08-4-2/22M C
08	12,5	1/2"	5	4	02/ METRIC	ISO 8434-1-L	M22x1,5 MALE 15L	1	3 PINS	2PS08-1-4-2/2MC
08	12,5	1/2"	5	4	F BSPP	ISO 1179-1	BSPP 1/2" FEMALE	1	3 PINS	2PS08-1-4-12GMC

