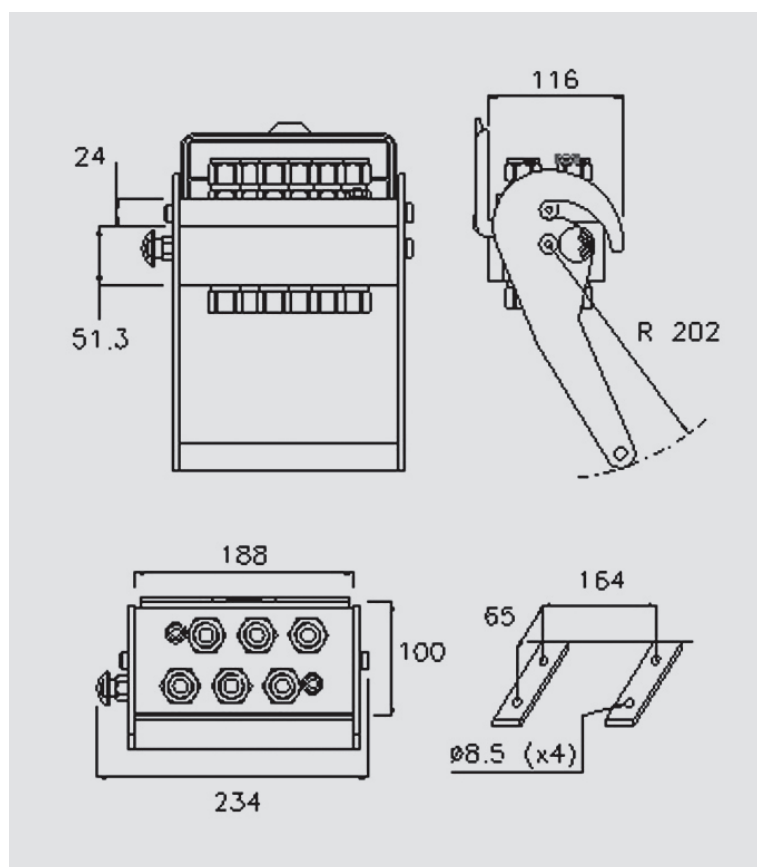


# P6o6



Multifaster 6 lines, size o6.

## Applications



## Technical Specifications

dash	Size		Working Pressure (MPa)	Flow Rate (l/min)	Spillage (ml)	Burst pressure (MPa)		
	mm	inch				Male	Female	Male + Female
06	10	3/8"	25	40	0,008	100	100	100

Material	Aluminium; Steel	Valve Type	Flat
Seals	NBR; PUR	Connection	Lever
Working temperatures	- 25 °C to 100 °C	Disconnection	Lever
Surface treatment	MATE 500 (CrIII); Paint	Connection Under Pressure	Allowed Residual

# P6o6

Size					Thread Type					FIXED
dash	mm	inch	Housing	Number of Couplings	Thread Type	Standard	Thread	Electrical Connector N	Connector Type	Part Number
06	10	3/8"	6	6	F BSPP	ISO 1179-1	BSPP 3/8" FEMALE			2P606-6-38G F C
06	10	3/8"	6	6	O2/ METRIC	ISO 8434-1-L	M22x1,5 MALE 15L			2P606-6-2/22F C
06	10	3/8"	6	6	O/ SAE	ISO 11926-1	3/4"-16 UNF FEMALE ORB			2P606-6-12S F C
06	10	3/8"	6	6	F BSPP	ISO 1179-1	BSPP 1/2" FEMALE			2P606-6-12G F C

Size					Thread Type					MOBILE
dash	mm	inch	Housing	Number of Couplings	Thread Type	Standard	Thread	Electrical Connector N	Connector Type	Part Number
06	10	3/8"	6	6	F BSPP	ISO 1179-1	BSPP 3/8" FEMALE			2P606-6-38G M C
06	10	3/8"	6	6	O2/ METRIC	ISO 8434-1-L	M22x1,5 MALE 15L			2P606-6-2/22M C
06	10	3/8"	6	6	O/ SAE	ISO 11926-1	3/4"-16 UNF FEMALE ORB			2P606-6-12S M C
06	10	3/8"	6	6	F BSPP	ISO 1179-1	BSPP 1/2" FEMALE			2P606-6-12G M C

