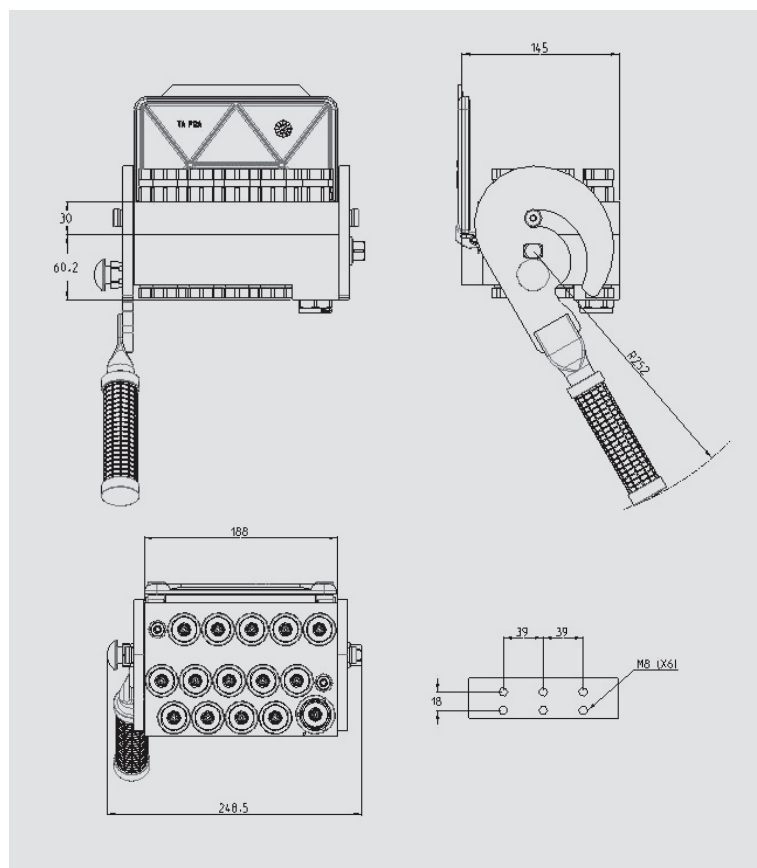


P1504



Multifaster, 15 lines, size 04.

Applications



Technical Specifications

| dash | Size | | Working Pressure (MPa) | Flow Rate (l/min) | Spillage (ml) | Burst pressure (MPa) | | |
|------|------|------|------------------------|-------------------|---------------|----------------------|--------|---------------|
| | mm | inch | | | | Male | Female | Male + Female |
| 04 | 6,3 | 1/4" | 25 | 20 | 0,008 | 100 | 100 | 100 |

| | | | |
|----------------------|-------------------------|---------------------------|------------------|
| Material | Aluminium; Steel | Valve Type | Flat |
| Seals | FKM | Connection | Lever |
| Working temperatures | - 25 °C to 100 °C | Disconnection | Lever |
| Surface treatment | MATE 500 (CrIII); Paint | Connection Under Pressure | Allowed Residual |

P1504

| Size | | | | | Thread Type | | | | | FIXED |
|------|-----|------|---------|---------------------|-------------|------------|------------------|------------------------|----------------|-----------------|
| dash | mm | inch | Housing | Number of Couplings | Thread Type | Standard | Thread | Electrical Connector N | Connector Type | Part Number |
| 04 | 6,3 | 1/4" | 15 | 15 | F BSPP | ISO 1179-1 | BSPP 1/4" FEMALE | | | 2P1504-15-14GFC |

| Size | | | | | Thread Type | | | | | MOBILE |
|------|-----|------|---------|---------------------|-------------|------------|------------------|------------------------|----------------|-----------------|
| dash | mm | inch | Housing | Number of Couplings | Thread Type | Standard | Thread | Electrical Connector N | Connector Type | Part Number |
| 04 | 6,3 | 1/4" | 15 | 15 | F BSPP | ISO 1179-1 | BSPP 1/4" FEMALE | | | 2P1504-15-14GMC |

