

Cartridges

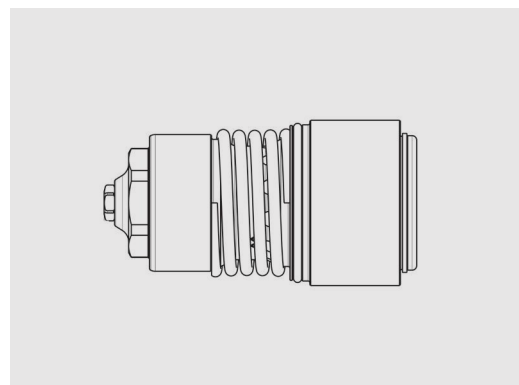


Cartridges to be integrated cast iron blocks.

Each kit contains a “smalley” ring to mount the cartridge into the casting housing (easy to assemble & disassemble without special tools) and an internal o-ring. ISO standard ISO 7241-1 part A.



Applications



Technical Specifications

dash	Size mm	inch	Part number
08	12,5	1/2"	KIT 5DCPVA08 A
12	20	3/4"	KIT 5DCPVA12 A

Material	Steel
Seals	NBR; PUR
Working temperatures	- 25 °C to + 125 °C
Surface treatment	MATE 500 (CrIII)
Series Interchange	ISO 7241-A
Valve Type	Poppet
Connection	Push-Pull or lever
Disconnection	Push-Pull or lever
Connection Under Pressure	Allowed Residual

