

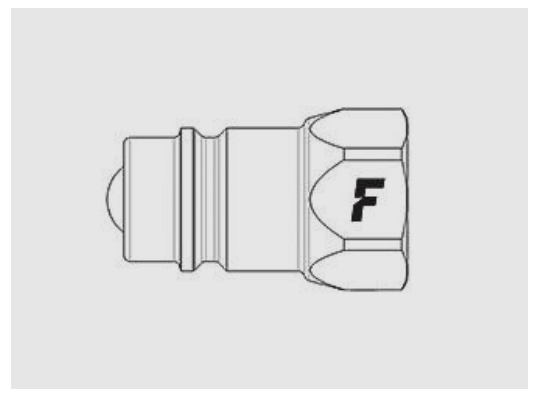
# 2NS



## Standard couplings, ball valve, shielded.

Male coupling for agriculture application, with ball valve and internal shielded valve-guide to prevent accidental disconnections caused by sudden backflow. ISO 7241-1 part A interchange.

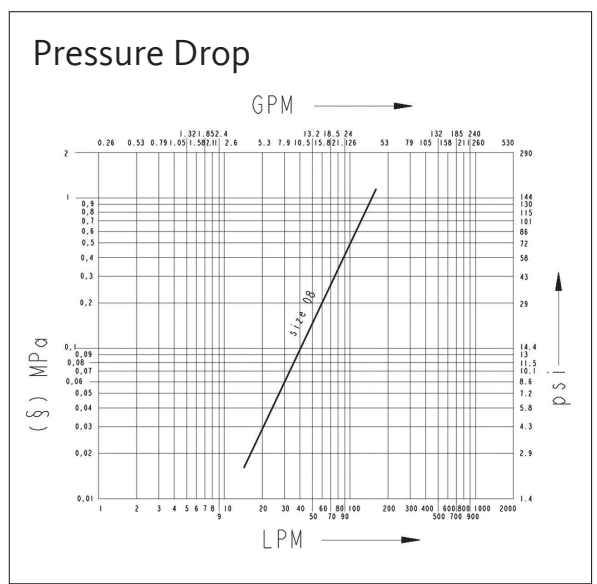
## Applications

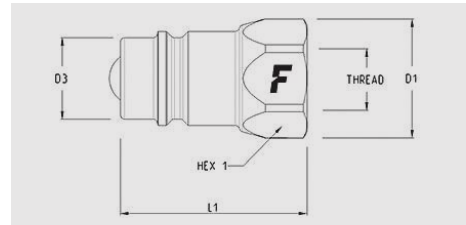


## Technical Specifications

dash	Size		Working Pressure (MPa)	Flow Rate (l/min)	Spillage (ml)	Force to Connect (N)	Burst pressure (MPa)		
	mm	inch					Male	Female	Male + Female
08	12,5	1/2"	25	60	1,8	80	100		130

Material	<b>Steel</b>
Seals	
Working temperatures	<b>-25 °C to +125 °C</b>
Surface treatment	<b>MATE 500 (CrIII)</b>
Series Interchange	<b>ISO 7241-A</b>
Valve Type	<b>Ball</b>
Connection	
Disconnection	
Connection Under Pressure	<b>Not Allowed</b>





2NS

Size		Thread details			MALE								
inch	mm	Thread Type	Standard	Thread	Part Number	L (L1 + Thread)		D1		D3		HEX1	
						mm	inch	mm	inch	mm	inch	mm	inch
1/2"	12,5	F NPTF	ANSI B1.20.3	NPTF 1/2 FEMALE	2NS 12 NPT M	47	1,85	30	1,2	20,5	0,81	27	1,06

## Accessories

### PVC dust caps



Caps suitable for MALE

Size			Cap Details	
inch	mm	dash	Part number	Colour
1/2"	12,5	08	TF 12	blue
1/2"	12,5	08	TF 12 A	orange
1/2"	12,5	08	TF 12 G	yellow
1/2"	12,5	08	TF 12 GR	grey
1/2"	12,5	08	TF 12 M	brown
1/2"	12,5	08	TF 12 N	black
1/2"	12,5	08	TF 12 R	red
1/2"	12,5	08	TF 12 V	green

### Aluminium dust caps



Caps suitable for MALE

Size			Plug Details	
inch	mm	dash	Part number	Colour
1/2"	12,5	08	TF 12 S	

