

**B**

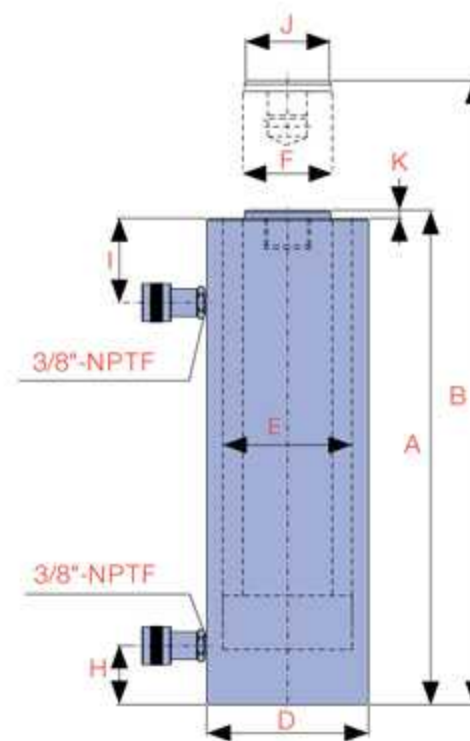
**CYLINDERS**



**EXCEEDS**  
ANSI/ASME B30.1  
**SAFETY**  
STANDARDS

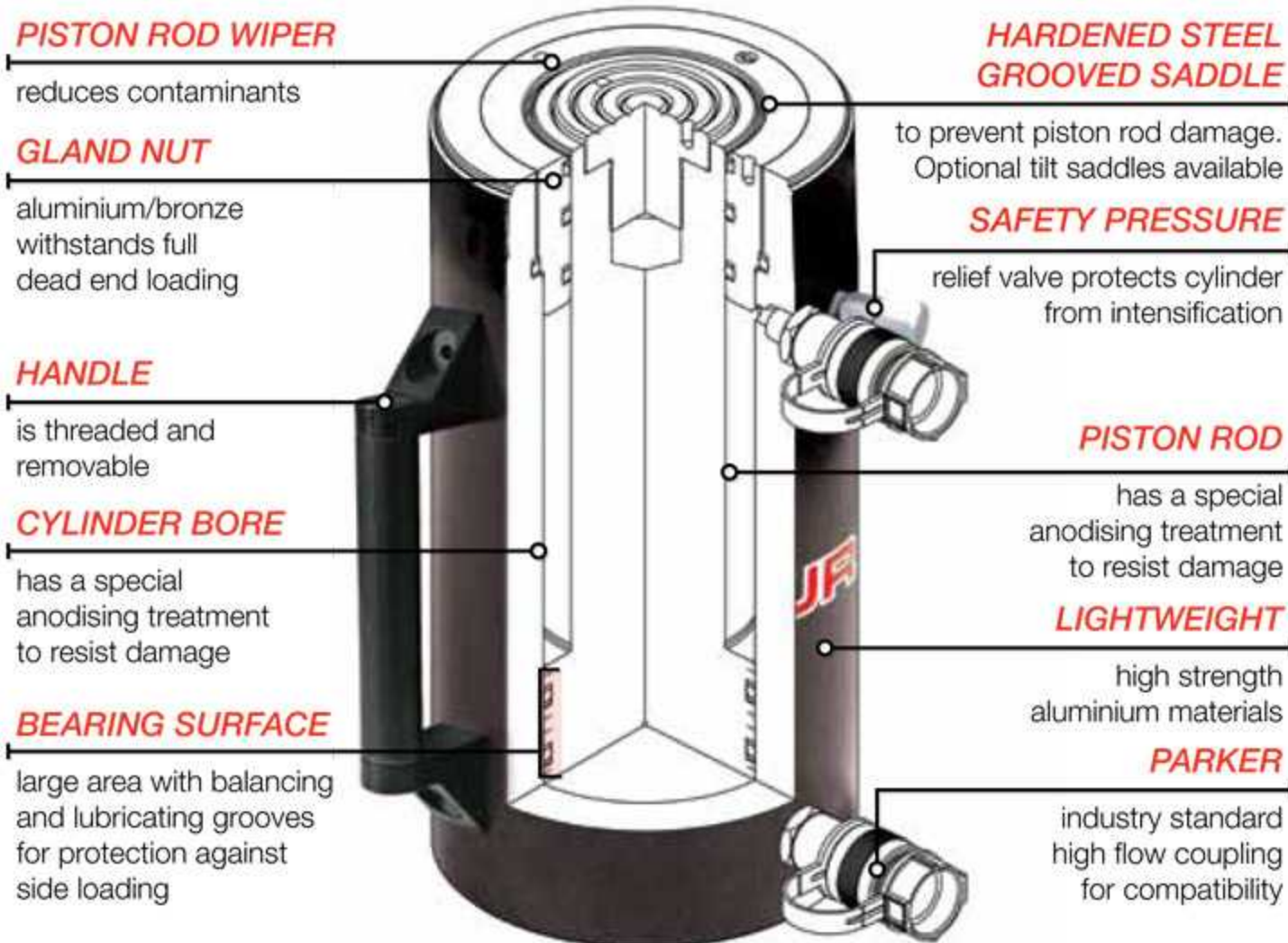
THE **ARD-SERIES** IS A LIGHTWEIGHT DOUBLE ACTING ALUMINIUM CYLINDER THAT IS IDEAL FOR USE IN APPLICATIONS WHERE WEIGHT AND PORTABILITY ARE PARAMOUNT.

ARD-Series cylinders are perfect for bridge lifting, machinery maintenance and other non production applications.



Model Number	Cylinder Capacity			Stroke (mm)	Cylinder Effective Area		Oil Capacity		A Collapsed Height (mm)	B Extended Height (mm)	D Outside Diameter (mm)	E Cylinder Bore Diameter (mm)	F Piston Rod Diameter (mm)
	ton*	Advance kN	Retract kN		Advance (cm <sup>2</sup> )	Retract (cm <sup>2</sup> )	Advance (cm <sup>3</sup> )	Retract (cm <sup>3</sup> )					
ARD-308	30	293	114	203	41.9	16.3	850	295	349	552	114	73.2	63.5
ARD-3013		293	114	330	41.9	16.3	1,488	578	476	806	114	73.2	63.5
ARD-508	50	535	124	203	76.4	17.7	1,447	360	349	552	139	92.2	79.4
ARD-5013		535	124	330	76.4	17.7	2,351	585	476	806	139	92.2	79.4
ARD-756	75	679	146	152	97.0	20.9	1,477	318	312	450	165	111.3	98.4
ARD-758		679	146	203	97.0	20.9	1,971	710	356	559	165	111.3	98.4
ARD-7513		679	146	330	97.0	20.9	3,201	690	490	806	165	111.3	98.4
ARD-1002	100	931	220	50	133.0	31.4	675	154	211	246	203	130.3	108.0
ARD-1006		931	220	152	133.0	31.4	2,027	464	311	463	203	130.3	108.0
ARD-1008		931	220	203	133.0	31.4	2,705	620	356	559	203	130.3	108.0
ARD-10013		931	220	330	133.0	31.4	4,392	1,005	488	818	203	130.3	108.0
ARD-1506	150	1,386	313	152	198.0	44.7	3,016	681	363	488	254	158.9	127.0
ARD-15013		1,386	313	330	198.0	44.7	6,535	1,476	541	844	254	158.9	127.0

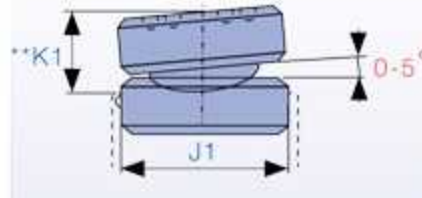
\* Nominal Cylinder Capacity in ton - see kN values for actual capacity



**CAPACITY**  
**30 - 150 ton**

**STROKE**  
**50 - 330 mm**

**MAXIMUM OPERATING PRESSURE**  
**700 bar**



H Base to Advance Port (mm)	I Top to Return Port (mm)	J Standard Saddle Diameter (mm)	K Saddle Protrusion from Piston Rod (mm)	Optional Tilt Saddle			Weight (kg)
				Model Number	J1 Diameter (mm)	**K1 Depth (mm)	
38	63	51	3	-	-	-	12
38	63	51	3	-	-	-	15
38	63	64	3	ATS-50	60	30	16
38	63	64	3	ATS-50	60	30	21
38	63	76	3	ATS-75	73	30	19
38	63	76	3	ATS-75	73	30	22
38	63	76	3	ATS-75	73	30	27
38	63	89	3	ATS-100	82	30	19
38	63	89	3	ATS-100	82	30	26
38	63	89	3	ATS-100	82	30	32
38	63	89	3	ATS-100	82	30	41
51	76	114	3	ATS-150	108	46	40
51	76	114	3	ATS-150	108	46	55

\*\* Total cylinder collapsed height with optional tilt saddle equals ( dim.A - dim.K + dim.K1 )

**Did you know...**  
Durapac has a range of aluminium lightweight pumps to suit the aluminium cylinder range.



**Caution...**  
Lightweight aluminium cylinders are **not** designed for production applications. Refer to Durapac for information relating to high cycle applications.