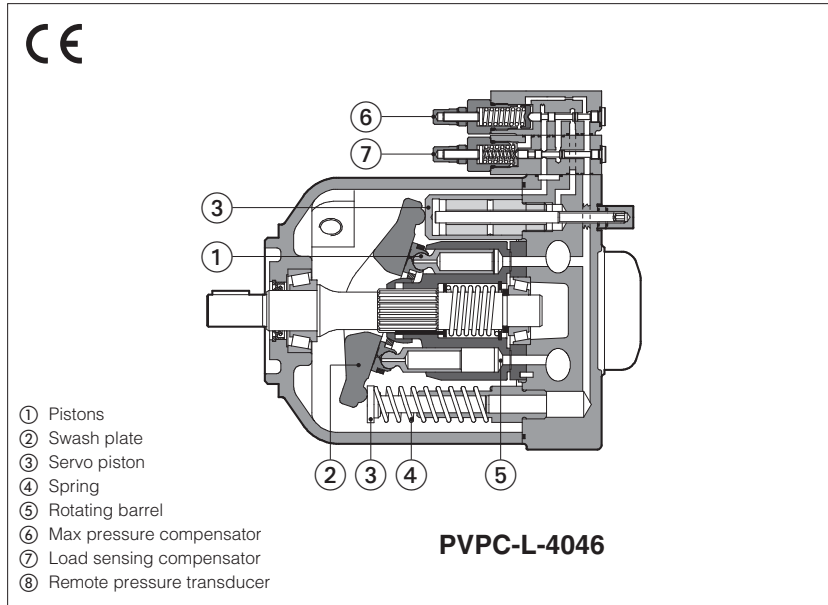


Axial piston pumps

variable displacement, mechanical controls



PVPC

Variable displacement axial piston pumps with swash plate design suited for high pressure open circuits.

They are characterized by low noise emission, short response time and flexible operation thanks to the wide range of mechanical controls, see section 11.

For PVPC pumps with electrohydraulic proportional controls, see tech table AS170.

SAE J744 mounting flange and shaft.

Max displacement (cm ³ /rev)	Max pressure working (bar)	Max pressure peak (bar)
29, 46, 73, 140	280	350
88	250	315

1 MODEL CODE

PVPC	X2E	-	C	-	4046	/	1	-	D	-	X	24DC	*	/	*	
Variable displacement axial piston pump																Seals material, see section 5 : - = NBR PE = FKM
Option for pumps with through shaft (1): XA = intermediate flange SAE A XB = intermediate flange SAE B XC = intermediate flange SAE C (only for size 5073 and 5090) Additional suffix for double pumps: X2E = with a fixed displacement pump type PFE (see tech table A005)																
Type of control, see section 11 : C = manual pressure compensator CH = manual pressure compensator, with venting R = remote pressure compensator L = load sensing (pressure & flow) LW = constant power (combined pressure & flow) For electrohydraulic proportional controls, see tech table AS170																
Size and max displacement (2): 3029 = size 3 - displacement 029 cm ³ /rev 4046 = size 4 - displacement 046 cm ³ /rev 5073 = size 5 - displacement 073 cm ³ /rev 5090 = size 5 - displacement 088 cm ³ /rev 6140 = size 6 - displacement 140 cm ³ /rev																
Coil voltage, see section 4 (only for CH version)																
X = without connector (only for CH version) See section 4 for available connectors, to be ordered separately																
Direction of rotation, viewed at the shaft end: D = clockwise S = counterclockwise																
Shaft, SAE Standard (3): 1 = keyed 5 = splined																

(1) Not available for PVPC-*-6140

(2) Optional intermediate displacements 35 and 53 cm³/rev are available on request

(3) Pumps with ISO 3019/2 mounting flange and shaft (option /M) are available on request

2 GENERAL CHARACTERISTICS

Assembly position - see section 6	Any position. The drain port must be on the top of the pump. Drain line must be separated and unrestricted to the reservoir and extended below the oil level as far from the inlet as possible. Suggested maximum line length is 3 m.
Ambient temperature range	Standard = -25°C ÷ +80°C / PE option -15°C ÷ +80°C
Storage temperature	Standard = -40°C ÷ +50°C / PE option -20°C ÷ +50°C
Surface protection (pump body)	Black painting RAL9005

3 HYDRAULIC CHARACTERISTICS - based on mineral oil ISO VG 46 at 50 °C

PVPC size	3029		4046		5073		5090		6140	
Max displacement (cm ³ /rev)	29		46		73		88		140	
Theoretical max flow at 1450 rpm (l/min)	42		66,7		105,8		127,6		203	
Max working pressure / Peak (bar)	280/350		280/350		280/350		250/315		280/350 (1)	
Min/Max inlet pressure (bar abs.)	0,8 / 25		0,8 / 25		0,8 / 25		0,8 / 25		0,8 / 25	
Max pressure on drain port (bar abs.)	1,5		1,5		1,5		1,5		1,5	
Power consumption at 1450 rpm and at max pressure and displacement (Kw)	19,9		31,6		50,1		54,1		122	
Max torque on the shaft (shaft type) (Nm)	Type 1 210	Type 5 270	Type 1 350	Type 5 440	Type 1 670	Type 5 810	Type 1 670	Type 5 810	Type 1 1000	Type 5 2340
Max torque at max working pressure (Nm)	128		203		328		350		780	
Speed rating (rpm)	500 ÷ 3000		500 ÷ 2600		500 ÷ 2600		500 ÷ 2200		500 ÷ 2200	
Body volume (l)	0,7		0,9		1,5		1,5		2,8	

(1) The maximum pressure can be increased to 350 bar (working) and 420 (peak) after detailed analysis of the application and of the pump working cycle

4 ELECTRICAL CHARACTERISTICS - for PVPC-CH

Insulation class	H
Connector protection degree	IP 65
Relative duty factor	100%
Supply voltage tolerance	± 10%

4.1 COIL VOLTAGE - only for CH version

Average values based ambient/coil temperature of 20°C.

External supply nominal voltage ±10%		Voltage code	Power consumption	Nominal current	Coil characteristics
DIRECT CURRENT	12 DC 24 DC	12DC 24DC	19,2 W	1,61 A 0,80 A	Insulation Class: H Protection degree: IP65

4.2 ELECTRIC CONNECTORS ACCORDING TO DIN 43650 - to be ordered separately

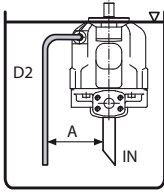
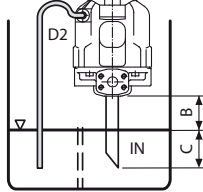
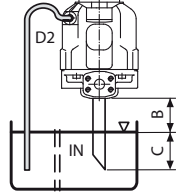
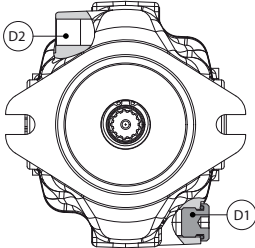
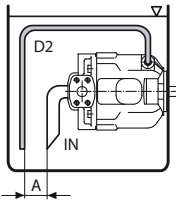
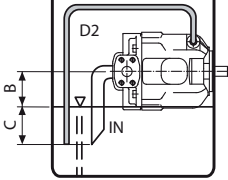
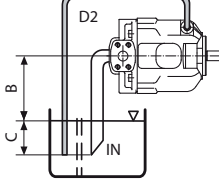
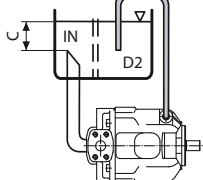
Code of connector	Function
SP-666	Connector IP-65
SP-667	Connector IP-65 but with built-in signal led

5 SEALS AND HYDRAULIC FLUIDS - for other fluids not included in below table, consult our technical office

Seals, recommended fluid temperature	NBR seals (standard) = -25°C ÷ +80°C, with HFC hydraulic fluids = -20°C ÷ +50°C FKM seals (/PE option) = -20°C ÷ +80°C		
Recommended viscosity	15÷35 mm ² /s - max allowed range: min 10 cSt (at 80°C) - max 1500 cSt at cold startup (-25°C)		
Max fluid contamination level	normal operation	ISO4406 class 20/18/13 NAS1638 class 9	see also filter section at
	longer life	ISO4406 class 18/16/11 NAS1638 class 7	www.atos.com or KTF catalog
Hydraulic fluid	Suitable seals type	Classification	Ref. Standard
Mineral oils	NBR, FKM, HNBR	HL, HLP, HLPD, HVLP, HVLPD	DIN 51524
Flame resistant without water	FKM	HFDR, HFDR (1)	ISO 12922
Flame resistant with water	NBR, HNBR	HFC (1)	

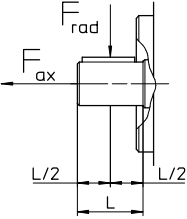
(1) Max working pressure must be reduced to: 180 bar (working) / 210 bar (peak) for HFC fluid
200 bar (working) / 240 bar (peak) for HFDR and HFDR fluid

6 INSTALLATION POSITION

		VERTICAL INSTALLATION		
				
 <p>The pump is supplied with drain D2 open, and D1 plugged. Before installation fill the pump with hydraulic oil for at least 3/4 of its volume, keeping it in horizontal position. With exception of pump mounted below the oil level, we recommend to interpose a baffle plate between inlet and drain line.</p>	<p>INSIDE THE TANK</p> <p>Minimum oil level equal or above the pump mounting surface. A ≥ 200mm</p>	<p>INSIDE THE TANK</p> <p>Minimum oil level below the pump mounting surface. Minimum inlet pressure = 0,8 bar absolute B ≤ 800mm, C = 200mm</p>	<p>OUTSIDE THE TANK, above oil level</p> <p>Minimum inlet pressure = 0,8 bar absolute B ≤ 800mm, C = 200mm</p>	
	HORIZONTAL INSTALLATION			
				
	<p>INSIDE THE TANK</p> <p>Minimum oil level equal or above the pump mounting surface. A ≥ 200mm</p>	<p>INSIDE THE TANK</p> <p>Minimum oil level below the pump mounting surface. Minimum inlet pressure = 0,8 bar (absolute) B ≤ 800mm, C = 200mm</p>	<p>OUTSIDE THE TANK, above oil level</p> <p>Minimum inlet pressure = 0,8 bar (absolute) B ≤ 800mm, C = 200mm</p>	<p>OUTSIDE THE TANK, below oil level</p> <p>C = 200mm</p>

IN: inlet line - **D1:** drain line - **A:** minimum distance between inlet and drain line - **B+C:** permissible suction height - **C:** inlet line immersion dept

7 MAX PERMISSIBLE LOAD ON DRIVE SHAFT

PVPC size		3029	4046	5073	5090	6140
F _{ax} = axial load		N	1000	1500	2000	2000
F _{rad} = radial load		N	1500	1500	3000	3000

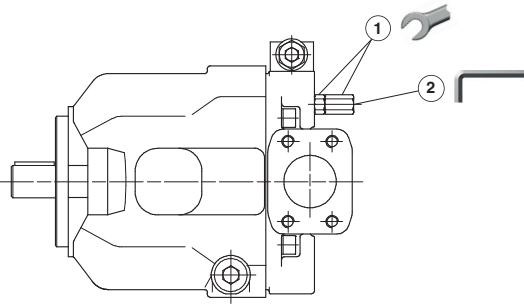
Notes: For speeds over 1800 rpm the inlet port must be under oil level with adequate pipes.
 Maximum pressure for all models with water glycol fluid is 160 bar, with option /PE is 190 bar.
 Max speed with options /PE and for water glycol fluid is 2000/1900/1600/1500 rpm respectively for the four sizes.

8 VARIATION OF MAX SPEED VS INLET PRESSURE



Inlet pressure	Displacement %					% variation of the max. speed
	bar abs.	65	70	80	90	
0,8	120	115	105	97	90	
0,9	120	120	110	103	95	
1,0	120	120	115	107	100	
1,2	120	120	120	113	106	
1,4	120	120	120	120	112	
1,6	120	120	120	120	117	
2,0	120	120	120	120	120	

Example
 Displacement: 80% - Inlet pressure: 1,0 bar - Speed: 115%

9 MAX DISPLACEMENT SETTING



- ① Locking displacement limiter screw
- ② Displacement setting

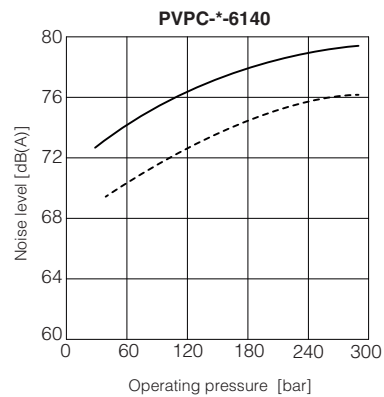
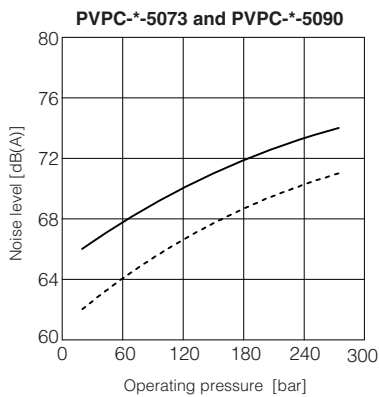
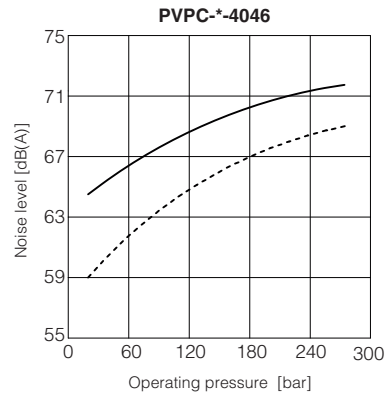
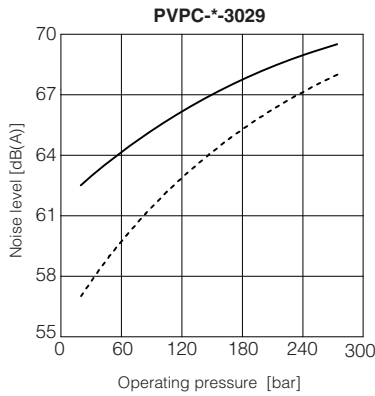
PVPC size		3029	4046	5073	5090	6140
Max displacement setting range	from ÷ to	20,1 ÷ 28,7	31,8 ÷ 45,4	36,8 ÷ 73,6	44,0 ÷ 87,9	70 ÷ 140
One turn of screw changes pump displacement by approximately	cm ³ /rev	1,5	2,2	3,2	3,2	6,0
For locking displacement limiter screw	 mm	14	14	17	17	19
For displacement setting	 mm	4	4	5	5	6
Tightening torque	Nm	15 ± 1	15 ± 1	15 ± 1	15 ± 1	20 ± 1

10 DIAGRAMS at 1450 rpm (based on mineral oil ISO VG 46 at 50°C)

10.1 Noise level curves

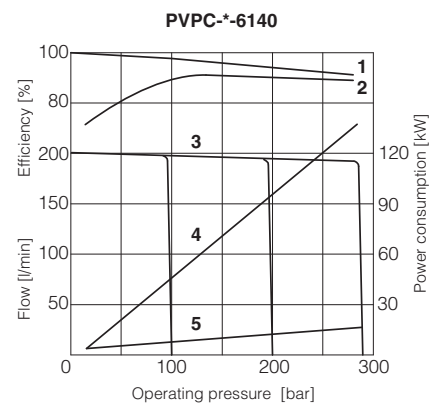
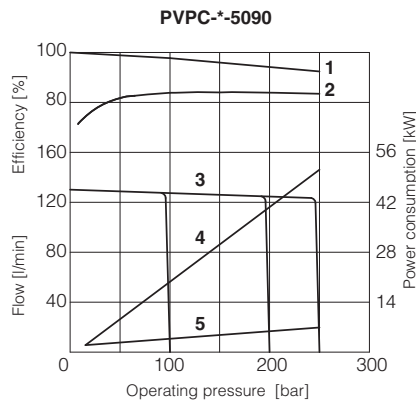
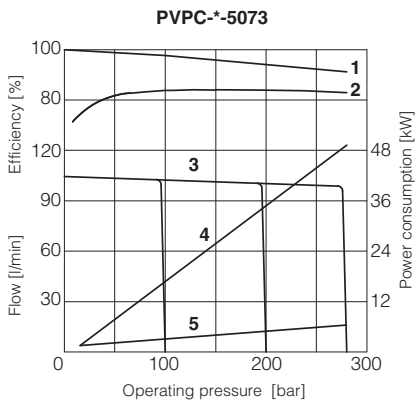
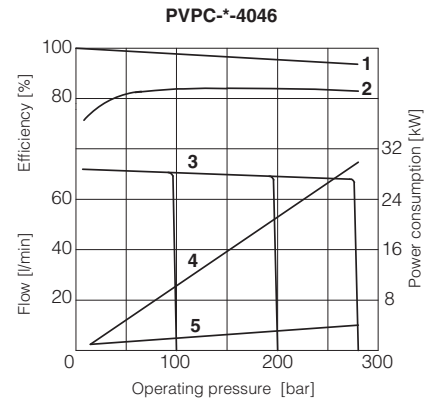
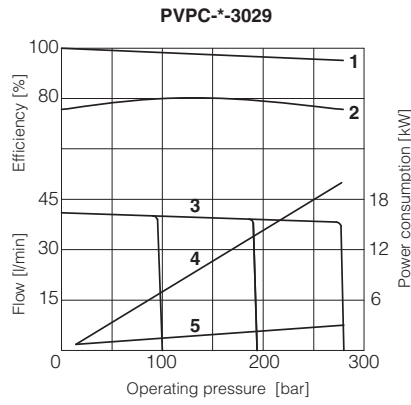
Ambient noise levels measured in compliance with ISO 4412-1 oleohydraulics -Test procedure to define the ambient noise level - Pumps
Shaft speed: 1450 rpm.

— = Qmax - - - - = Qmin



10.2 Operating limits

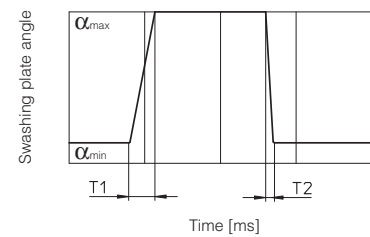
- 1 = Volumetric efficiency
- 2 = Overall efficiency
- 3 = Flow versus pressure curve
- 4 = Power consumption with full flow
- 5 = Power consumption at null flow

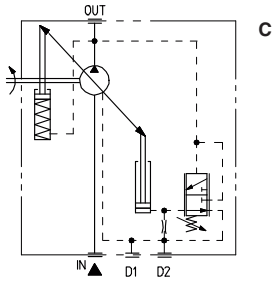


10.3 Response times

Response times and pressure peak due to variation 0% to 100% and 100% to 0% of the pump displacement, obtained with an instantaneously opening and shut-off of the delivery line.

Pump type	T1 (ms)	T2 (ms)
PVPC-*-3029	140	36
PVPC-*-4046	140	42
PVPC-*-5073	160	44
PVPC-*-5090	160	44
PVPC-*-6140	220	150



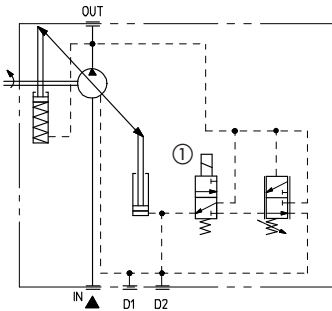
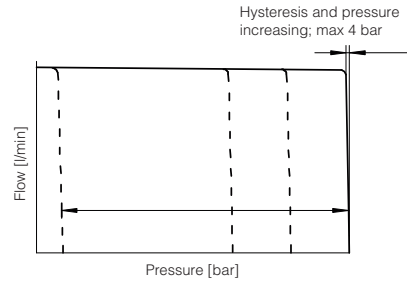


Manual pressure compensator

The pump displacement is zeroed when the line pressure approaches the setting pressure of the compensator.

Compensator setting range:
 20 ÷ 280 bar for 3029, 4046, 5073, 6140
 20 ÷ 250 bar for 5090

Compensator standard setting:
 280 bar for 3029, 4046, 5073, 6140
 250 bar for 5090



CH

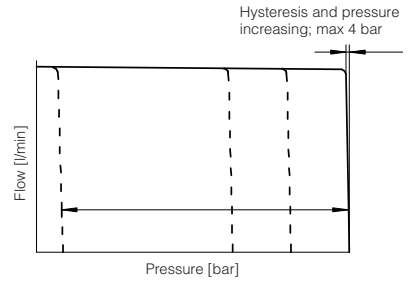
Manual pressure compensator with venting

As C plus venting function, when a long unloading time is required and heat generation and noise have to be kept at lowest level.

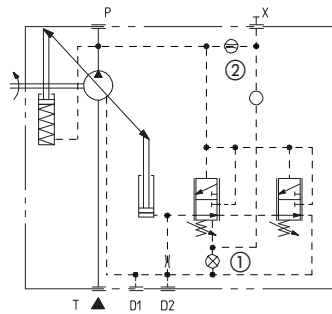
Venting valve solenoid voltage, see section 4
 Venting valve OFF = null displacement
 Venting valve ON = max displacement

Compensator setting range:
 20 ÷ 280 bar for 3029, 4046, 5073
 20 ÷ 250 bar for 5090, 6140

Compensator standard setting:
 280 bar for 3029, 4046, 5073
 250 bar for 5090, 6140



① solenoid venting valve



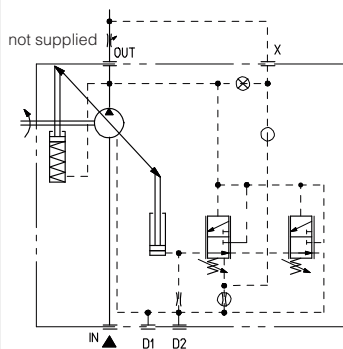
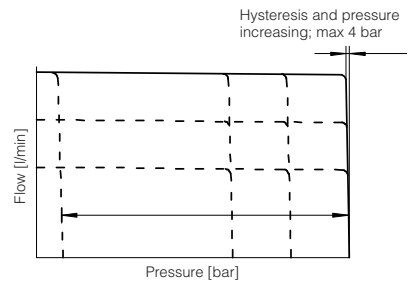
R

Remote pressure compensator

As C, but predisposed with X piloting port for connection of a remote pilot relief valve.

Compensator setting range:
 20 ÷ 280 bar for 3029, 4046, 5073
 20 ÷ 250 bar for 5090, 6140

Compensator standard setting:
 280 bar for 3029, 4046, 5073
 250 bar for 5090, 6140



L

Load sensing

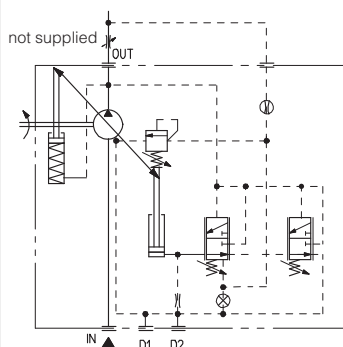
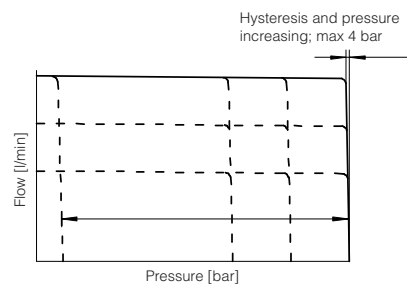
The pump displacement is automatically adjusted to maintain a constant (load independent) pressure drop across an external throttle. Changing the throttle regulation, the pump flow is consequently adjusted.

Load sensing control always incorporates an hydraulic compensator to limit the maximum pressure.

Compensator setting range:
 20 ÷ 280 bar for 3029, 4046, 5073
 20 ÷ 250 bar for 5090, 6140

Compensator standard setting:
 280 bar for 3029, 4046, 5073
 250 bar for 5090, 6140

Differential pressure setting range: 10 ÷ 40 bar
 Differential pressure standard setting: 14 bar

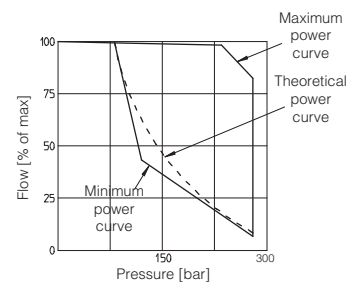


LW

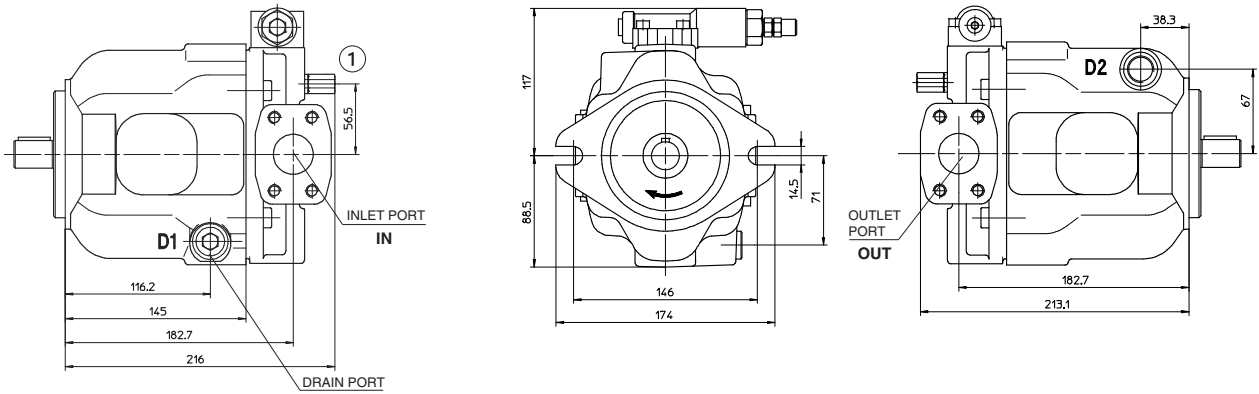
Constant power

In order to achieve a constant drive torque with varying operating pressure. The swashing angle and therefore the outlet flow is varied so that the product of flow and pressure remains constant.

For the best regulation, minimum working pressure is 80 bar.
 While selecting LW control, the required value of power must be communicated with the order (ex. 10 kW at 1450 rpm).



12 INSTALLATION DIMENSIONS OF PVPC-*-3029: BASIC VERSION "C" CONTROL



PORTS DIMENSION

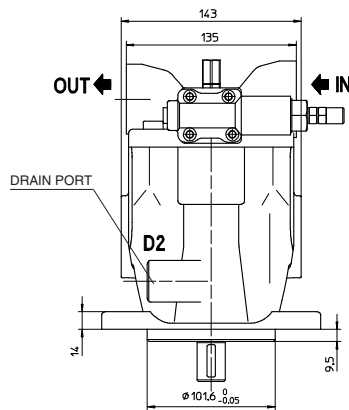
IN = Flange SAE 3000 1 1/4"

OUT = Flange SAE 6000 3/4"

D1, D2 = 1/2" BSPP

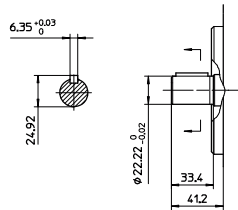
① = Screw for max displacement setting.

In case of double pumps, the screw is not available for version XB

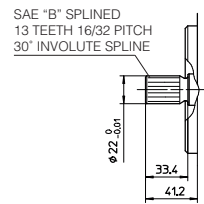


Mass [kg]	
PVPC-*-3029	18

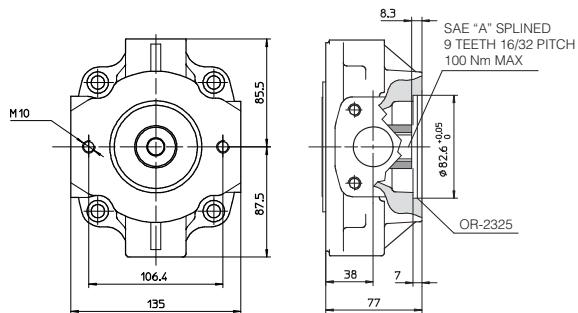
SHAFT TYPE "1"



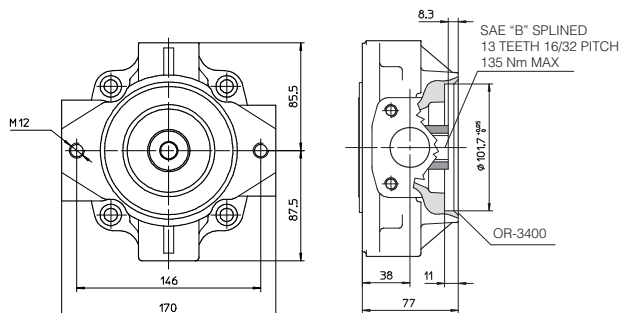
SHAFT TYPE "5"



CODE XA - INTERMEDIATE FLANGE SAE "A" FOR PFE-31

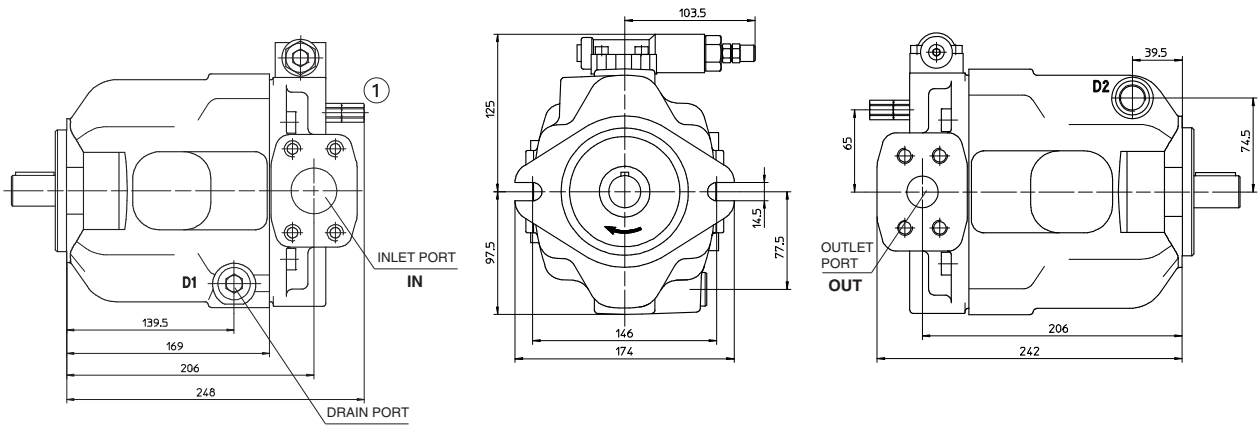


CODE XB - INTERMEDIATE FLANGE SAE "B" FOR PFE-41
screw for max displacement setting not available



Drawing shows pumps with clockwise rotation (option D); pumps with counterclockwise rotation (option S) will have inlet and outlet ports inverted

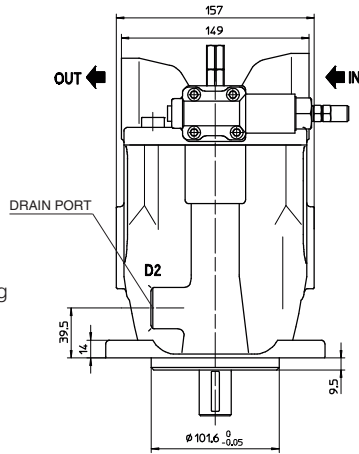
13 INSTALLATION DIMENSIONS OF PVPC-*-4046: BASIC VERSION "C" CONTROL



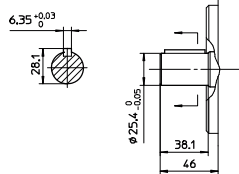
PORTS DIMENSION

- IN** = Flange SAE 3000 1 1/2"
- OUT** = Flange SAE 6000 1"
- D1, D2** = 1/2" BSP
- ① = Screw for max displacement setting

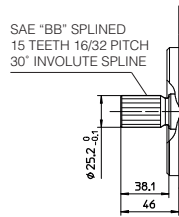
Mass [kg]	
PVPC-*-4046	24



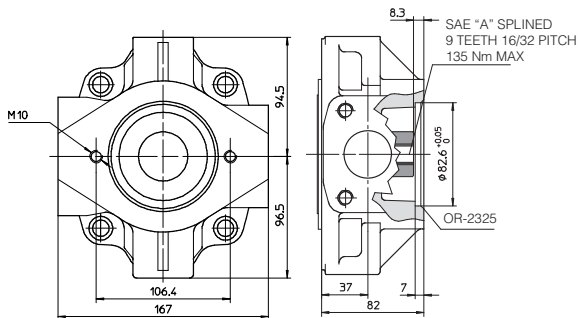
SHAFT TYPE "1"



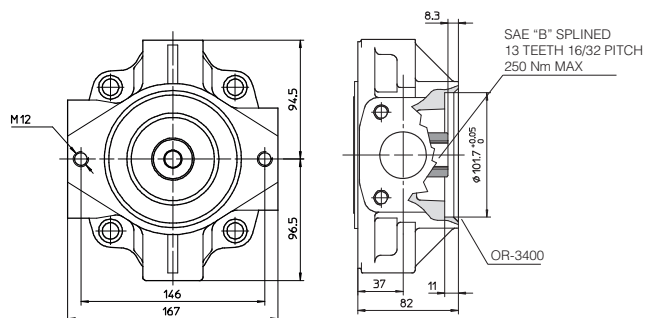
SHAFT TYPE "5"



CODE XA - INTERMEDIATE FLANGE SAE "A" FOR PFE-31

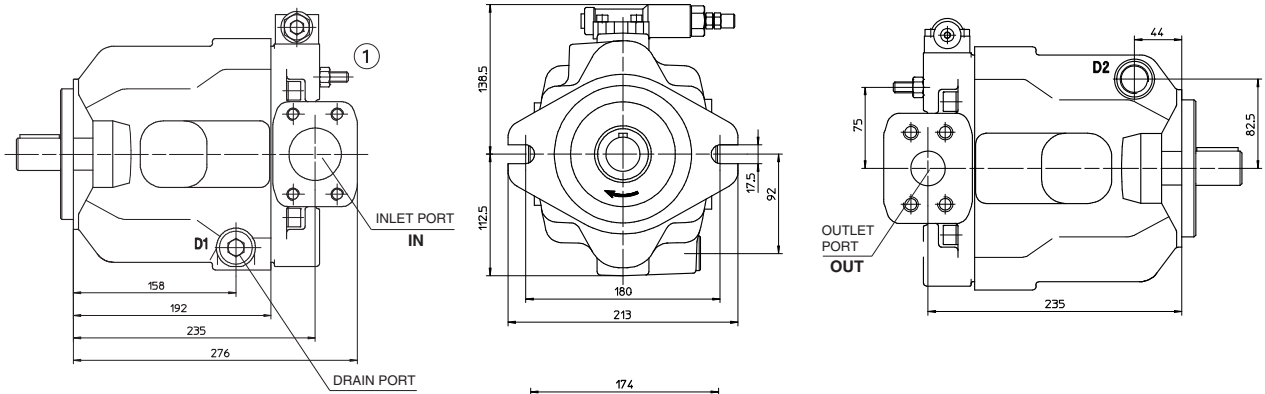


CODE XB - INTERMEDIATE FLANGE SAE "B" FOR PFE-41



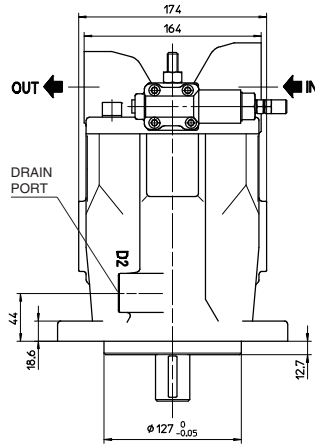
Drawing shows pumps with clockwise rotation (option D); pumps with counterclockwise rotation (option S) will have inlet and outlet ports inverted

14 INSTALLATION DIMENSIONS OF PVPC-*-5073 and PVPC-*-5090: BASIC VERSION "C" CONTROL



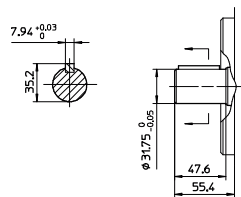
PORTS DIMENSION

IN = Flange SAE 3000 2"
 OUT = Flange SAE 6000 1 1/4"
 D1, D2 = 3/4" BSPP
 ① = Screw for max displacement setting.
 In case of double pump the screw is not available for version XC

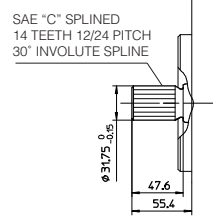


Mass [kg]	
PVPC-*-5073	33
PVPC-*-5090	

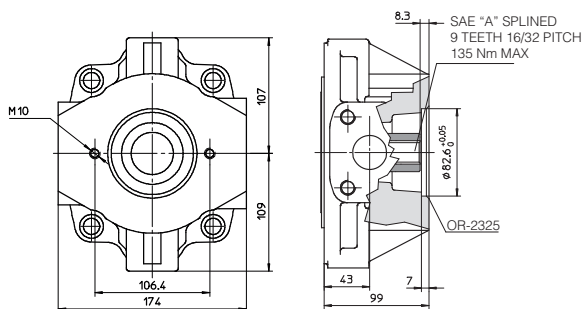
SHAFT TYPE "1"



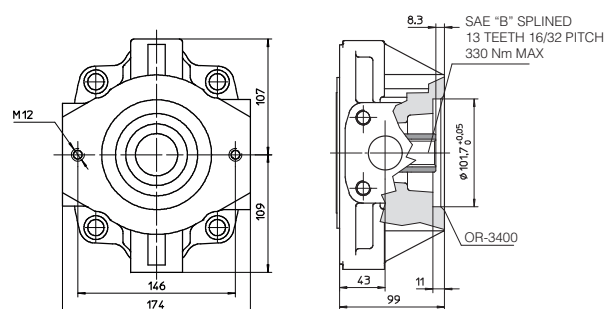
SHAFT TYPE "5"



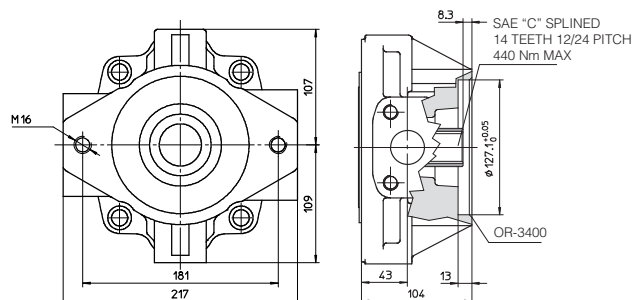
CODE XA - INTERMEDIATE FLANGE SAE "A" FOR PFE-31



CODE XB - INTERMEDIATE FLANGE SAE "B" FOR PFE-41

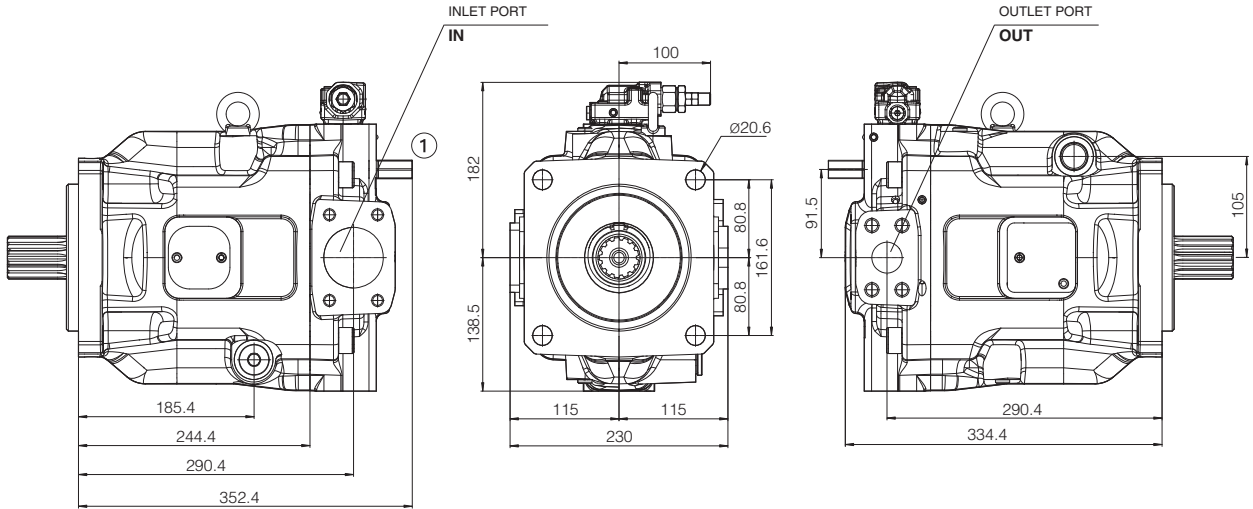


CODE XC - INTERMEDIATE FLANGE SAE "C" FOR PFE-51



Drawing show pumps with clockwise rotation (option D): pumps with counterclockwise rotation (option S) will have inlet and outlet ports inverted

15 INSTALLATION DIMENSIONS OF PVPC-*-6140: BASIC VERSION "C" CONTROL



PORTS DIMENSION

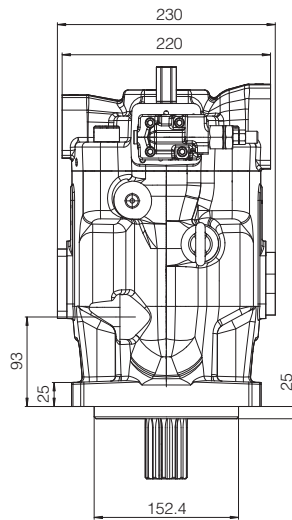
IN = Flange SAE 3000 2 1/2"

OUT = Flange SAE 6000 1 1/4"

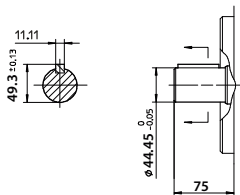
D1, D2= 3/4" BSPP

① = Regulation screw for max displacement setting.

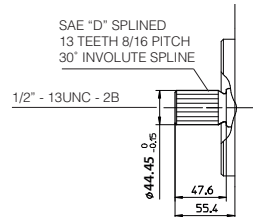
Mass [kg]	
PVPC-*-6140	69



SHAFT TYPE "1"

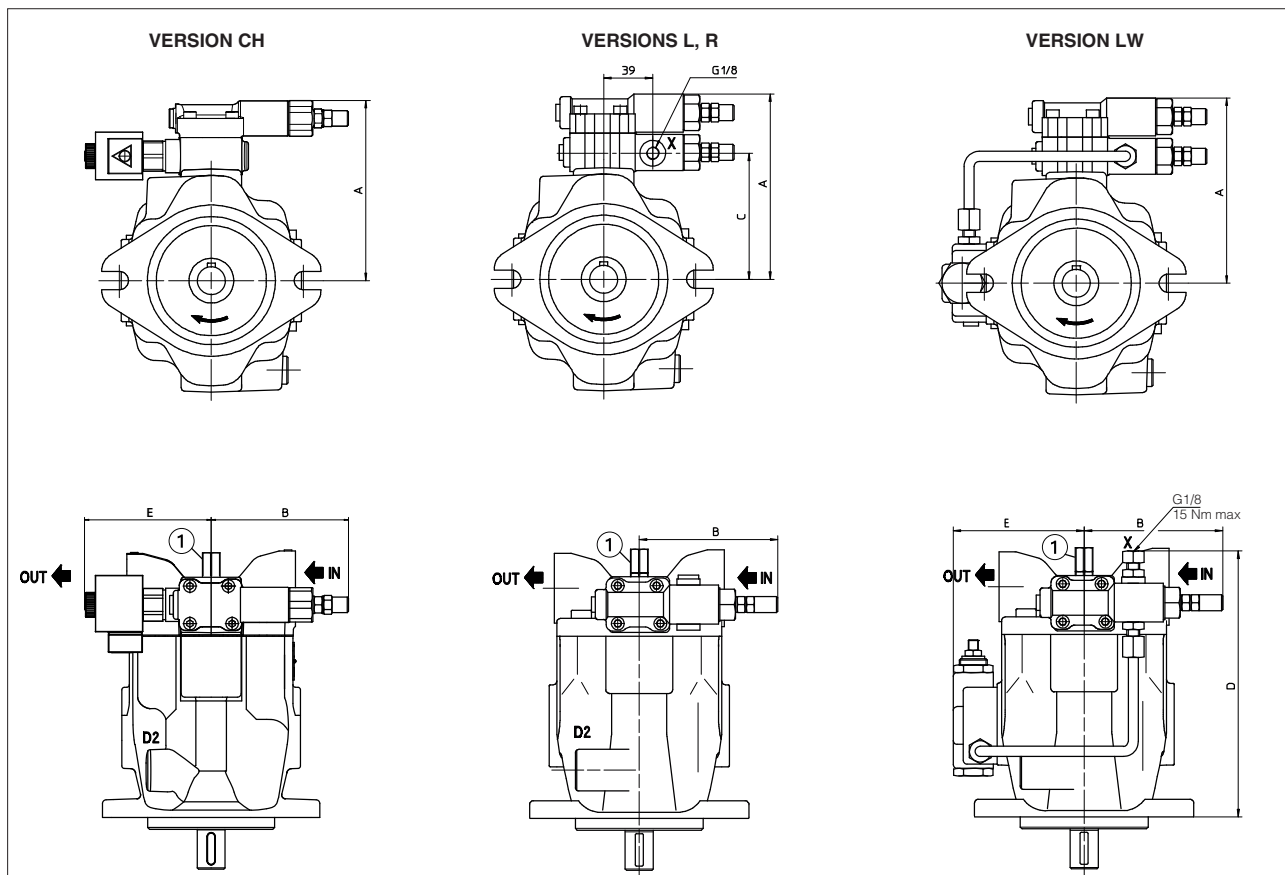


SHAFT TYPE "5"



16 INSTALLATION DIMENSIONS OF OTHER CONTROLS

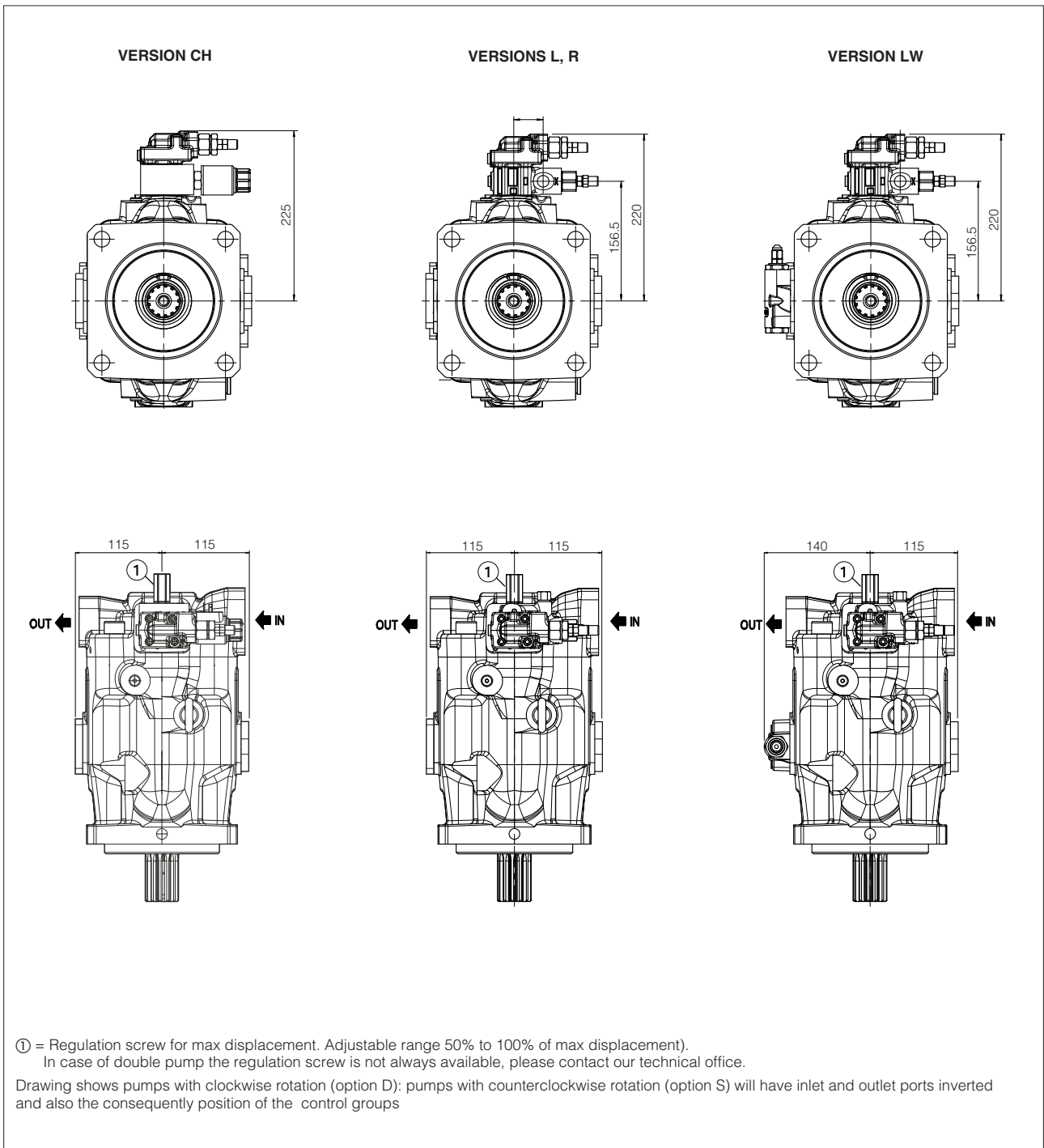
16.1 PVPC size 3, 4 and 5



① = Regulation screw for max displacement. Adjustable range 50% to 100% of max displacement).
 In case of double pump the regulation screw is not always available, please contact our technical office.

Drawing shows pumps with clockwise rotation (option D): pumps with counterclockwise rotation (option S) will have inlet and outlet ports inverted and also the consequently position of the control groups

Pump type	Version	A	B	C	D	E	Mass (kg)
PVPC-*-3029	CH	144	111	-	-	102	22
	L-R	144	111	100	-	-	19,2
	LW	144	111	-	211	104	20
PVPC-*-4046	CH	153	111	-	-	102	28
	L-R	153	111	109	-	-	25,2
	LW	153	111	-	235	111	26
PVPC-*-5073 PVPC-*-5090	CH	166	111	-	-	102	36,9
	L-R	166	111	122	-	-	34,2
	LW	166	111	-	258	120	35



17 RELATED DOCUMENTATION

- A900** Operating and maintenance information for pumps
- K800** Electric and electronic connectors