

3PC High Platform Ball Valve



STANDARD SPECIFICATION

1. Design and manufacture: GB/T 12237-2007
2. Body thickness: GB/T 12221
3. NPT screw Conn.: ASME B1.20.1
G screw conn.: GB/T 12716
RC screw conn.: GB/T 7306.2
4. Socket weld: ASME B16.11
5. Butt Weld: ASME B16.25, ASME B36.10M
6. inspection and test: GB/13927-1992

DESIGN SPECIALTY

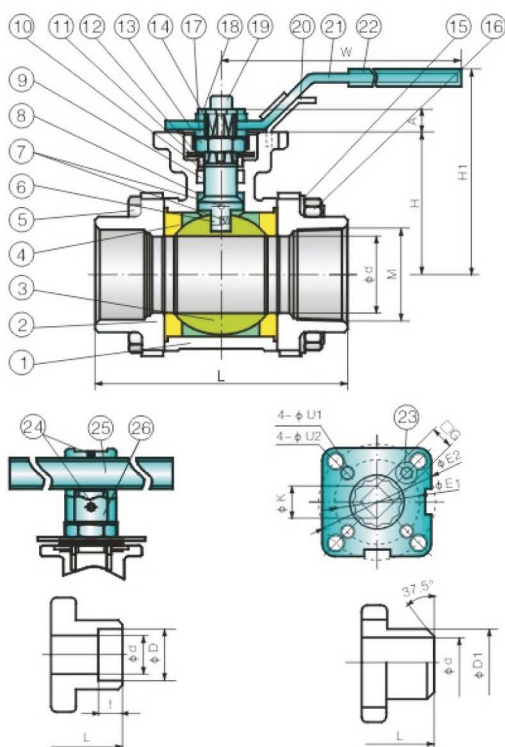
1. Lever have locked device, prevent misuse ,more safety and reliable.
2. Anti-blow out stem
3. Easygoing operation
4. Acc. To API607 Fire safe design.
5. Both Full Bore and Reduced Bore are available
6. Anti-static device between stem and ball
7. End conn.: NPT Socket Weld BW(Extended body available)

SPECIAL VALVE PERFORMANCE CAPABILITIES

Can be used to clean water, waste water, air, steam, food, pharmaceutical, chemical, oil, alkali and salt etc

MAIN PARTS AND MATERIALS

No.	Part name	Material		
		CF8M	CF8	WCB
1	Body	CF8M	CF8	WCB
2	Bonnet	CF8M	CF8	WCB
3	Ball	316	304	
4	Seat	PTFE/RP TFE/PPL/Carbon fiber		
5	Nuts	A193 B8		A193 B7
6	Stem	316	304	2Cr13
7	Anti-static	304		
8	Thrust gasket	PTFE/Carbon fiber		
9	Packing	PTFE		
10	Packing protector	304		
11	Packing bushing	304		
12	Belleville spring	304		
13	Nuts	304		
14	Soft gasket	304		
15	Bolts and nut	304		
16	Lever nuts	304		
17	Retainer	304		
18	Lever	304		
19	Loose resistant cover	304		
20	Lever glove	Plastic		
21	Positioning bolts	304		
22	Locked screw	304		
23	Lever	304		
24	Wrench	CF8		



Socket weld (SW) connection Butt weld ends (BW) connection

ORDERING CODE

KB - 3P2W - 304 - 1/2

3 Pieces 304: SS 304 Port Size (NPS)
 2 Way 316: SS 316
 Ball Valve

1000 PSI MAIN CONNECTION SIZE

NPS(in)	Φd	f	L	H	H1	A	W	ΦE1	ΦE2	G	ΦU1	ΦU2	D	D1	M
1/2"	15	10	72	40	76	8	145	36	42	9	6	6	21.8	22	NPT BSP G RC
3/4"	20	13	82	46	82	8	145	36	42	9	6	6	27.2	28	
1"	25	13	90	57	100	11.5	165	42	50	11	6	7	34	34	
1 1/4"	32	13	112	64	95	12.5	165	42	50	11	6	7	42.6	43	
1 1/2"	38	13	120	71	118	16	200	50	70	14	7	9	48.7	50	
2"	50	16	145	81.5	129	20	200	50	70	14	7	9	61.2	61	
2 1/2"	65	16	185	95	152	20	250	70	102	17	9	11	74	76	
3"	80	16	208	109	159	20	265	70	102	17	9	11	90	92	
4"	100	19	268	142	205	22	400	/	102	22	/	11	115.6	115	