

THE DIRECTIONAL CONTROL VALVE of the rotary spool type consists basically of a rotor which is rotated with respect to the valve body. When the rotor is placed in selected positions inlet and outlet ports are connected in various combinations permitting the start, stop or directional change of fluid under pressure. The functions specific to a valve depends primarily on rotor type selected.

SPECIFICATIONS

- Maximum pressure: 320 bar
- Maximum Flow: 90 l/min
- for Code 42, 43, 44 - max 60 l/min
- Porting: standard 1/2 BSP
- Material: Steel spool in cast iron body.
- Weight: 2 kg.
- Mounting: 2 Bolt M10
- *Porting 3/4 BSP and SAE12 are recommended only for Code 31;.Flow max 120 l/min.

FEATURES

Provides a fast and positive control of oil to and from cylinders and motors. Customers can select from one of three spool types allowing flow to be diverted from one line to another or in neutral position of pressure to tank.

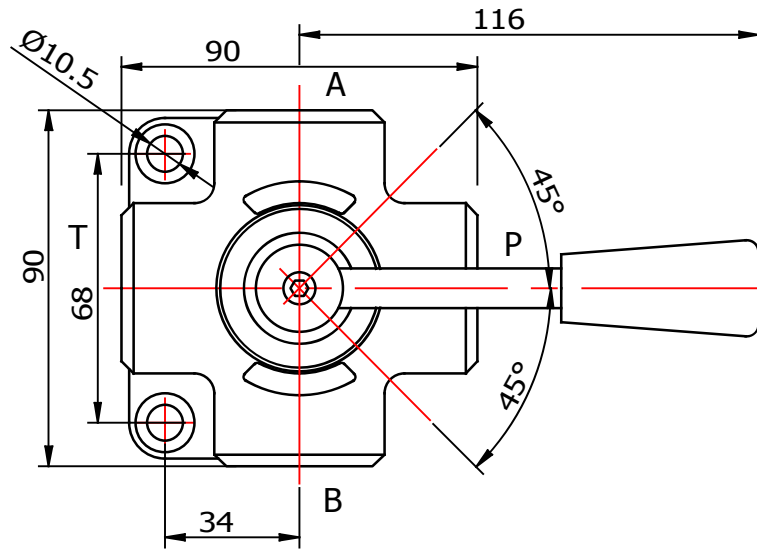
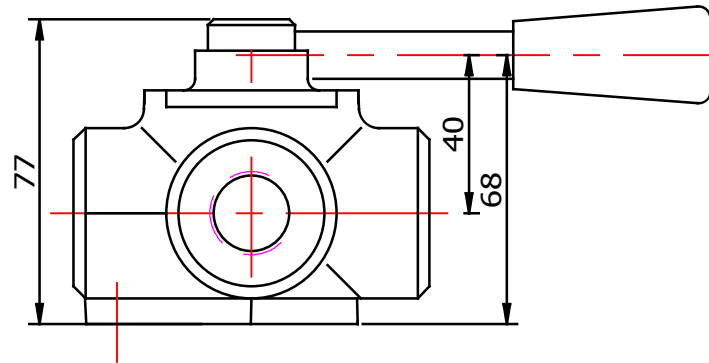
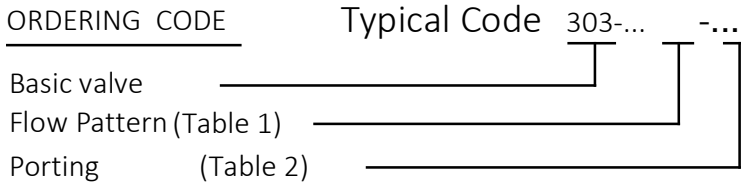


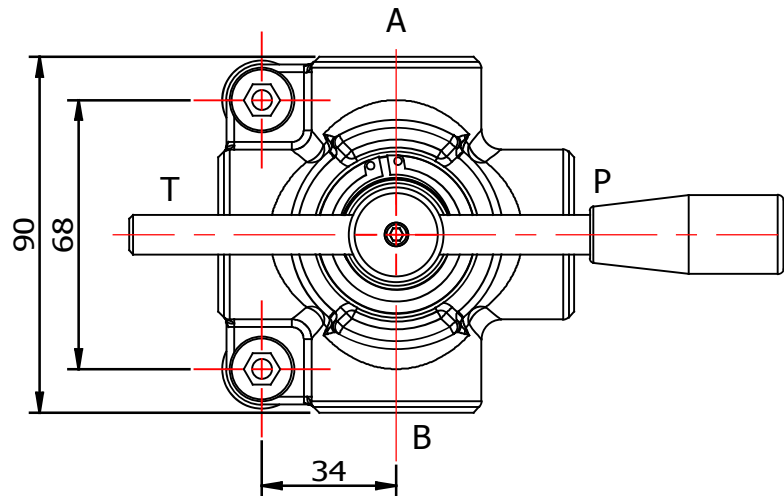
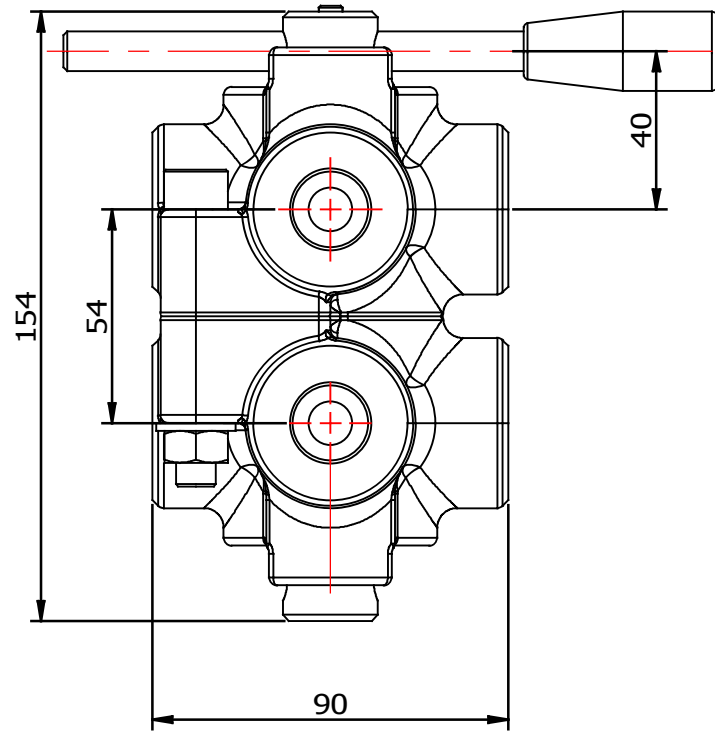
Table 2



Code 12	Code 22	Code 34
1/2 BSP	M22x1.5	3/4 BSP
Code 38	Code SAE10	Code SAE12
3/8 BSP	SAE10	SAE12

Table 1

	Code 30	Code 31	Code 40	Code 42	Code 43	Code 44
3 port closed center						



ORDERING CODE (example)

662 -40.42 - G12

